



# Installation Instructions

## "HUSKY 10-26K"      Part # 32042

<b>Dealer / Installer:</b>	Provide a copy of these Instructions to the end user of this product. These Instructions provide important operating and safety information for proper usage of this product. Demonstrate the proper use of the product with the end user. Have the end user demonstrate that they understand the proper use of the product.
<b>End User:</b>	Read and follow all instructions included in this manual. Ask your Dealer / Installer for assistance if you do not understand the proper use of the product. Never remove any decals from the product.

**APPLICATION:** For use on short bed pickup applications no less than 6-1/2 feet long.

**NOTE:** The "HUSKY 10-26K" is to be used only with 5th wheel trailers which weigh 26,000 lbs. or less. Never use with heavier trailers. You will need to disassemble the uprights from your current 5th wheel to install the "HUSKY 10-26K". The "HUSKY 10-26K" takes the place of those uprights.

**Caution:** The "HUSKY 10-26K" will reposition your 5th wheel 10" rearward. **HOWEVER** this will NOT guarantee complete truck cab/trailer clearance when towing & making sharp turns. See page 2, "Truck Cab and 5th Wheel Trailer Clearance".

### Husky Fastener Torque Specification

U.S. BOLT TORQUE SPECIFICATIONS				
Torque in pounds-foot				
Bolt Diameter	Thread Pitch	GRADE		
		2	5	8
1/4	20	4	8	12
1/4	28	6	10	14
5/16	18	9	17	25
5/16	24	12	19	29
3/8	16	16	30	45
3/8	24	22	35	50
7/16	14	24	50	70
7/16	20	34	55	80
1/2	13	38	75	110
1/2	20	52	90	120
9/16	12	52	110	150
9/16	18	71	120	170
5/8	11	98	150	220
5/8	18	115	180	240
3/4	10	157	260	380
3/4	16	180	300	420

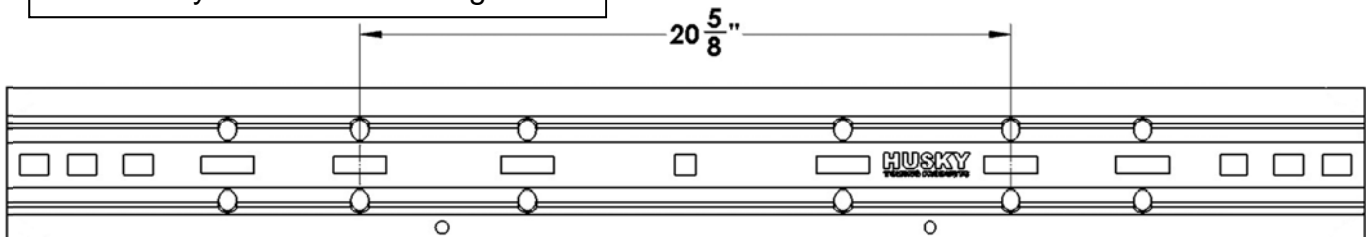


All "Husky 10" fasteners are grade 5

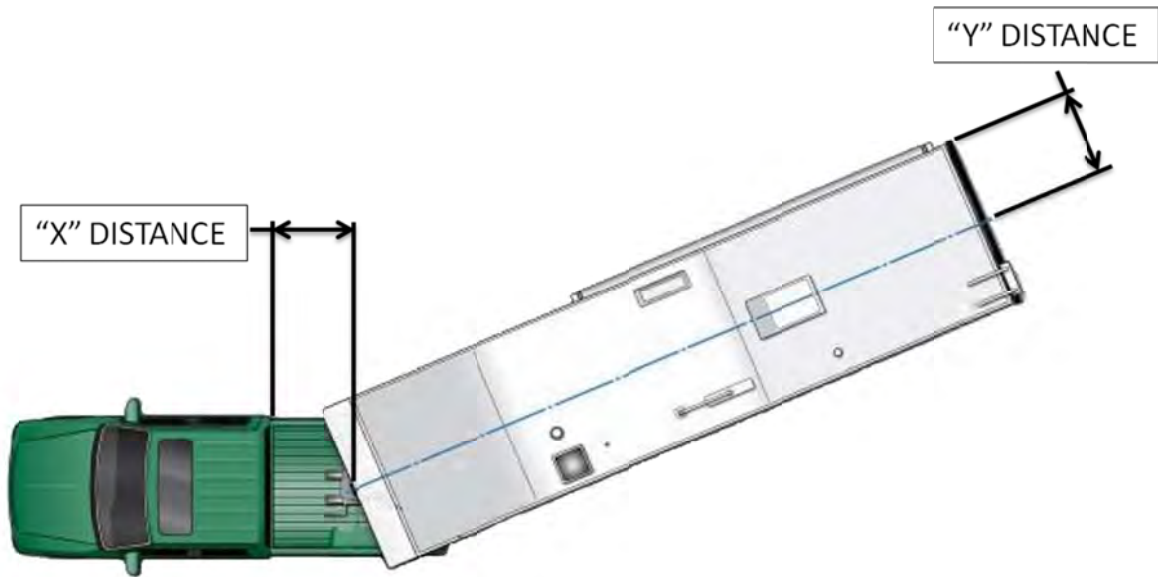
**WARNING**

The Husky 10-26K is **NOT** to be used with rotating pin boxes or pin boxes that require a "wedge"; such as the REESE Sidewinder, REESE Revolution, 5<sup>th</sup> Airborne Sidewinder. Use of these products may damage this product and will void the warranty.

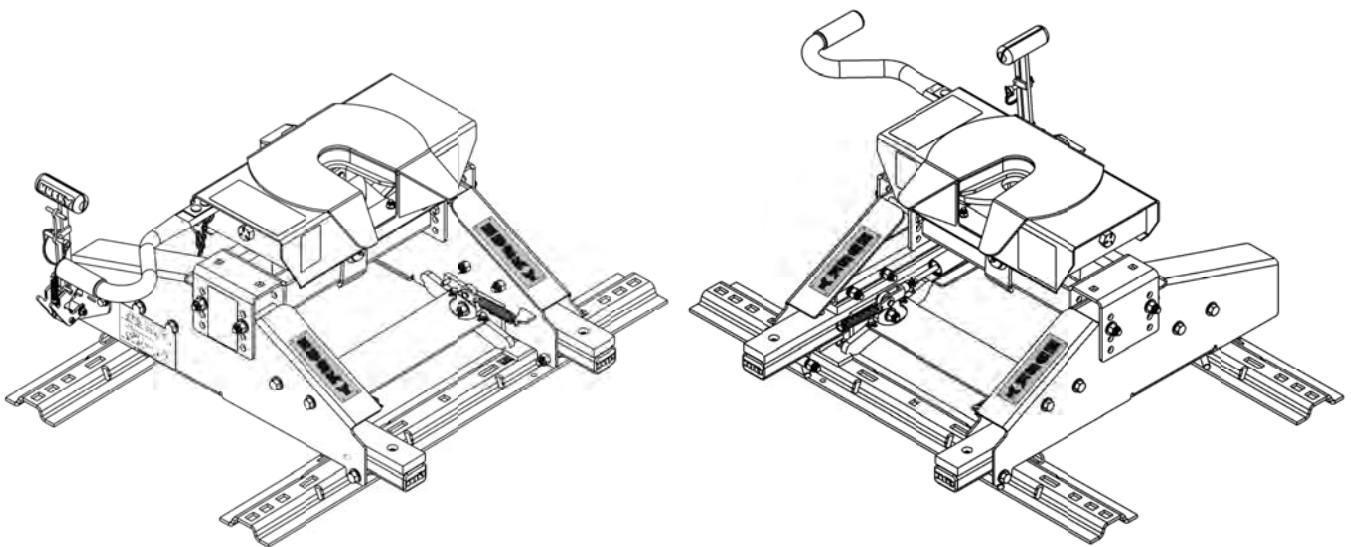
The "HUSKY 10-26K" will only work in the base rail slots spaced 20-5/8" apart. Only use Husky 5th Wheel Hitches with this product.



## Truck Cab and 5th Wheel Trailer Clearance



**NOTE!** Not all 5th wheel trailers are the same, it is the driver's responsibility to determine what kind of trailer to cab clearance will result at hook-up time. This can be determined by measuring the distance from the center of the 5th wheel hitch opening to the rear of the truck cab ("X" DISTANCE) and adding 4 inches to it. Then measure the width of the trailer and divide this in half, this will result in the ("Y" DISTANCE). The "X" DISTANCE must be equal to or greater than the "Y" DISTANCE. This does not mean that your 5th wheel trailer cannot still come in contact with the truck cab. Always have a spotter to help be your eyes to warn you when to stop turning.



The Husky 10-26K is a patented product from Husky Towing Products. See Patent No. 8,727,369

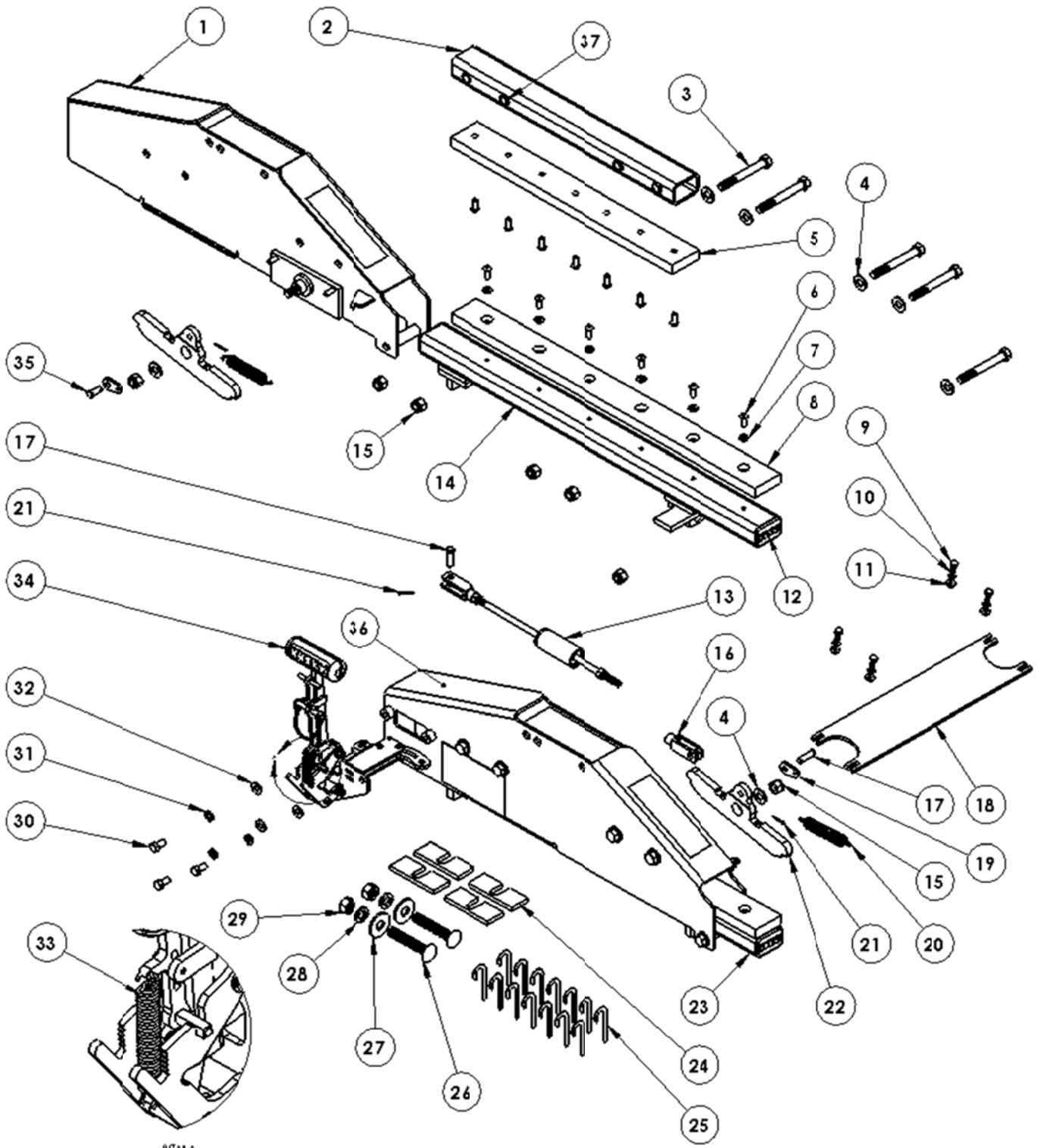
# Parts Listing

ITEM NO.	DESCRIPTION	QTY:	QTY:	QTY:	QTY:	QTY:	QTY:	QTY:	QTY:	QTY:	QTY:	QTY:	QTY:	QTY:	QTY:	QTY:
		32042	32043	32044	32045	32046	32047	32048	32049	32050	32051	32053	32054	32056	32058	32059
		3 BOX SET FOR 26K HUSKY 10 GLIDER	Shim Kit (THIN)	KIT, SERVICE, 26K HUSKY 10 PULL HANDLE	KIT, 3/8" HARDWARE KIT FOR 26K HUSKY 10 PULL HANDLE	KIT, SERVICE, 26K HUSKY 10 GLIDING PAD	KIT, SERVICE, 26K HUSKY 10 COMPRESSION CYLINDER ASSY	KIT, SERVICE, HUSKY 10 HANDLE RETURN SPRING	KIT, SERVICE, 26K HUSKY 10 PS PIVOT ASSEMBLY	KIT, SERVICE, HUSKY 10 CLEVIS/COTTER PIN	KIT, SERVICE, 26K HUSKY 10 PIVOT PLATE ASSEMBLY	KIT, SERVICE, 26K HUSKY 10, HOUSING HARDWARE(1/2")	KIT, SERVICE, HUSKY 10 END TUBE PLUGS	KIT, HUSKY 10 PIVOT RETURN SPRING SERVICE	PIVOT PLATE HARDWARE SERVICE KIT	KIT, SERVICE, CENTER BOLT
1	PS HOUSING WELDMENT	1														
2	UPPER SUPPORT TUBE	2														
3	BOLT, HEX 1/2 -13 X 4" LONG, GR5, YZ	10										5				
4	1/2" FLAT WASHER	12					1		1			5				
5	UPPER GLIDE PLATE	2				1										
6	SOCKET BUTTON CAP SCREW, 5/16-18 UNC X 3/4", GR5, BO	26				13										
7	5/16" FLAT WASHER	12				6										
8	LOWER GLIDE PLATE	2				1										
9	BOLT, HEX HEAD 1/4 -20 X .75", GR5, YZ	4									4				4	
10	1/4" LOCK WASHER	4									4				4	
11	1/4" FLAT WASHER	4									4				4	
12	HUSKY RUBBER TUBE PLUG	4											2			
13	COMPRESSION CYLINDER ASSEMBLY	1					1									
14	PS RAIL WELDMENT	1														
15	1/2-13 LOCK NUT, GR5, YZ	12					1		1			5				
16	CLEVIS ROD END	1					1									
17	PIN, CLEVIS, 3/8 X 1.25, STEEL, YZ	2					2				2					
18	PIVOT PLATE	1									1					
19	EXTENSION SPRING PIVOT PLATE	2					1		1							
20	SPRING, EXT, 3/4" OD X 3.50" LONG YZ	2					1		1					2		
21	PIN, COTTER, 7/64 X 1, STEEL, YZ	3					2		1		3					
22	PIVOT STOP PLATE	2					1		1							
23	DS RAIL WELDMENT	1														
24	SPACER PLATE	4														4
25	HOOK SHIM(THIN)	14	14													
26	5/8-11 UNC X 3.50 CARRIAGE HEAD BOLT, GR. 5, BO	2														2
27	5/8" FLAT WASHER	2														2
28	5/8" LOCK WASHER	2														2
29	5/8-11 UNC HEX NUT	2														2
30	BOLT, HEAD, HEX, 3/8-16 X .75, GR5, YZ	3		3	3											
31	3/8" LOCK WASHER	3		3	3											
32	3/8" FLAT WASHER	3		3	3											
33	SPRING, EXT, 1/2" OD X 2.75" LONG YZ	1							1							
34	26K HUSKY 10 PULL HANDLE ASSEMBLY	1		1												
35	PIN, CLEVIS, 3/8 X .875, STEEL, YZ	1							1		1					
36	DS HOUSING WELDMENT	1														
37	1/2" ID SPACER	10										5				

## TOOLS REQUIRED:

DRILL*	9/16" WRENCH & SOCKET
5/8" DRILL BIT*	16mm WRENCH
NEEDLE NOSE PLIERS	3/4" WRENCH & SOCKET
7/16" WRENCH & SOCKET	TORQUE WRENCH (150 LBS.-FT. MIN.)

\*These tools only required if you do not have a center bolt kit installed in your base rails.



Prior to assembly of "HUSKY 10-26K", be sure that your base rails are properly installed and square with each other. Measure diagonally across the rails. See Figure 1. Measurements "X" & "Y" should be within 3/16" of each other. These measurements are required for proper fit and function of the "HUSKY 10-26K".

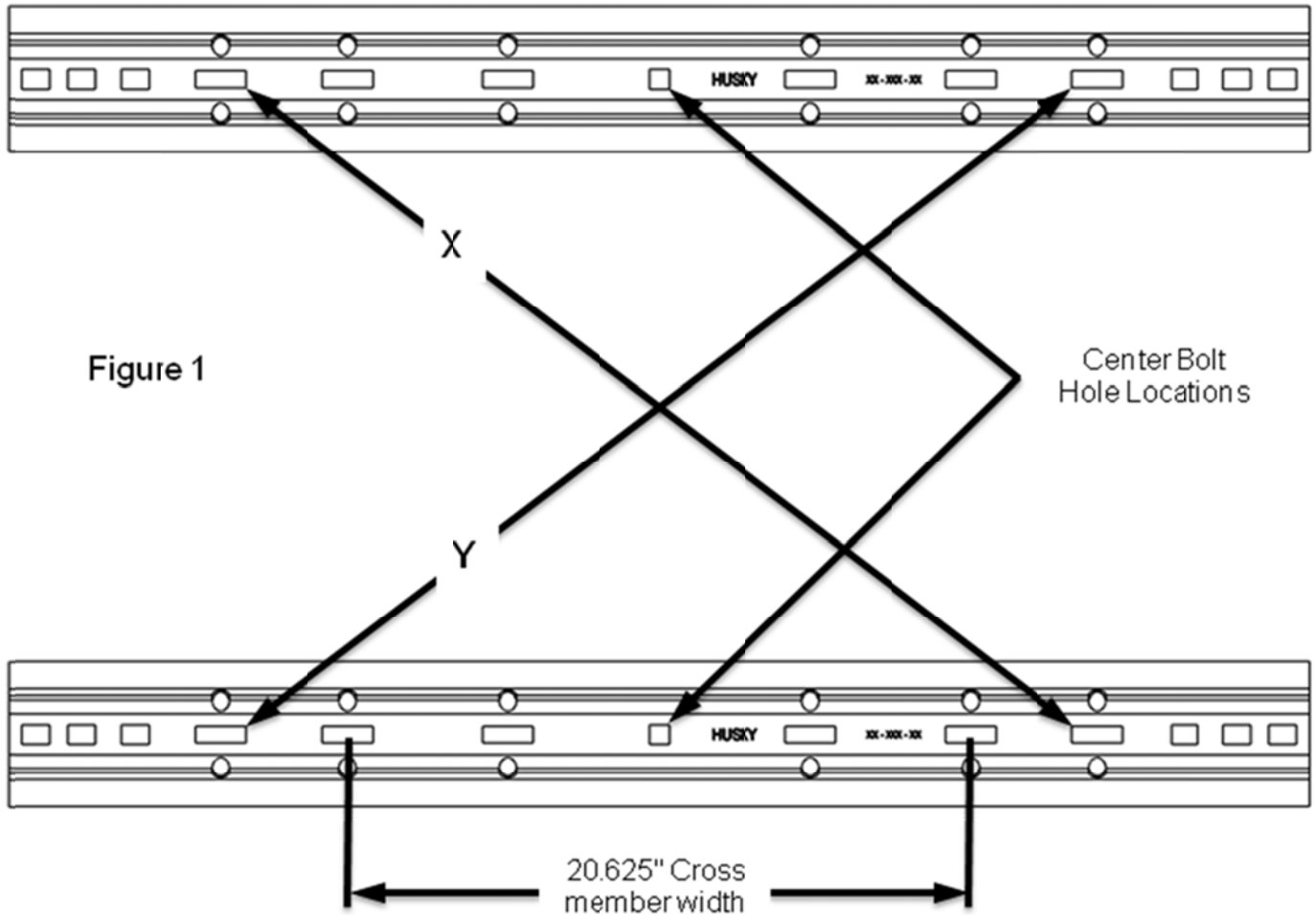
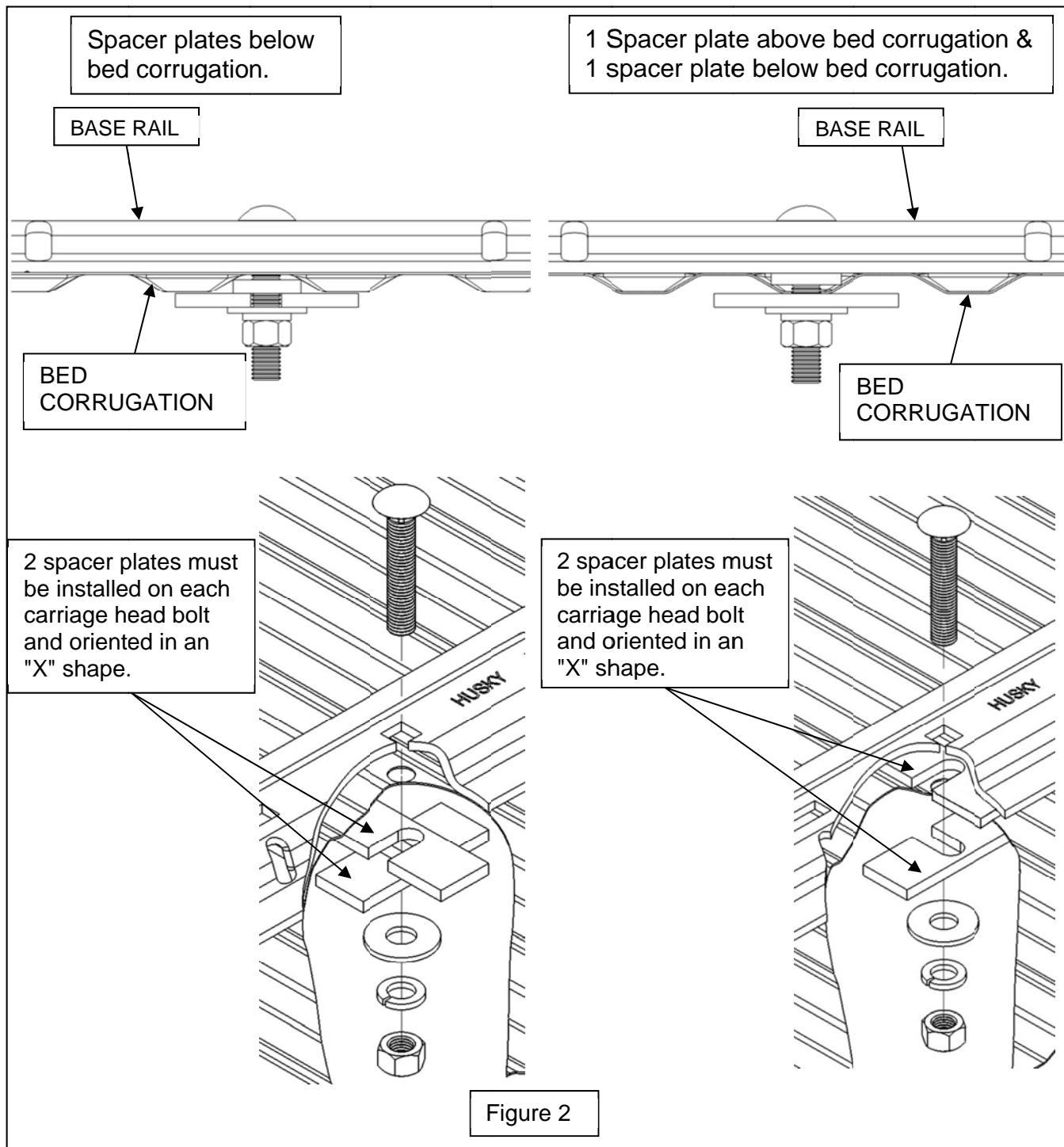


Figure 1

Center Bolt  
Hole Locations

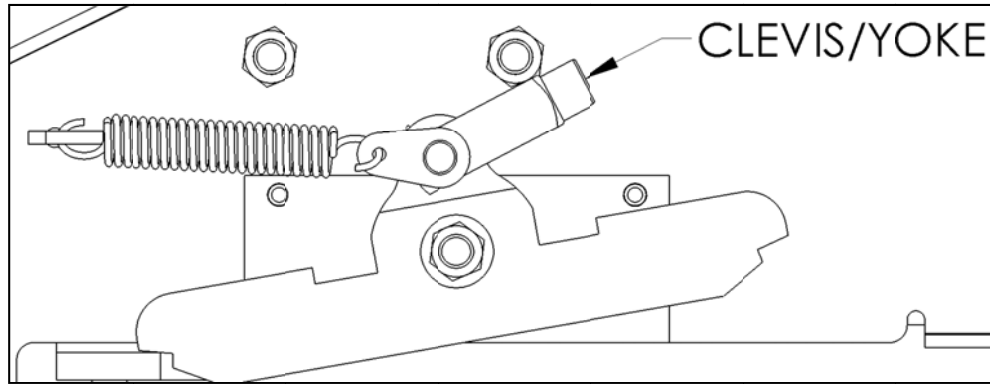
2. Install the Husky Center Bolt kit using the parts provided in this kit.
3. Locate the center hole in each base rail. See Figure 1. Using these holes as a guide, drill a 5/8" hole through the truck bed. **Confirm that the fuel tank, brake/fuel lines, electrical wires located under the bed are not in the path of drilling the holes in this step.**
4. Drop the 5/8 carriage bolts supplied through the center bolt locations, through the truck bed.
5. Check the corrugations in the truck bed floor and place the spacer plate in the correct position as shown. See Figure 2.



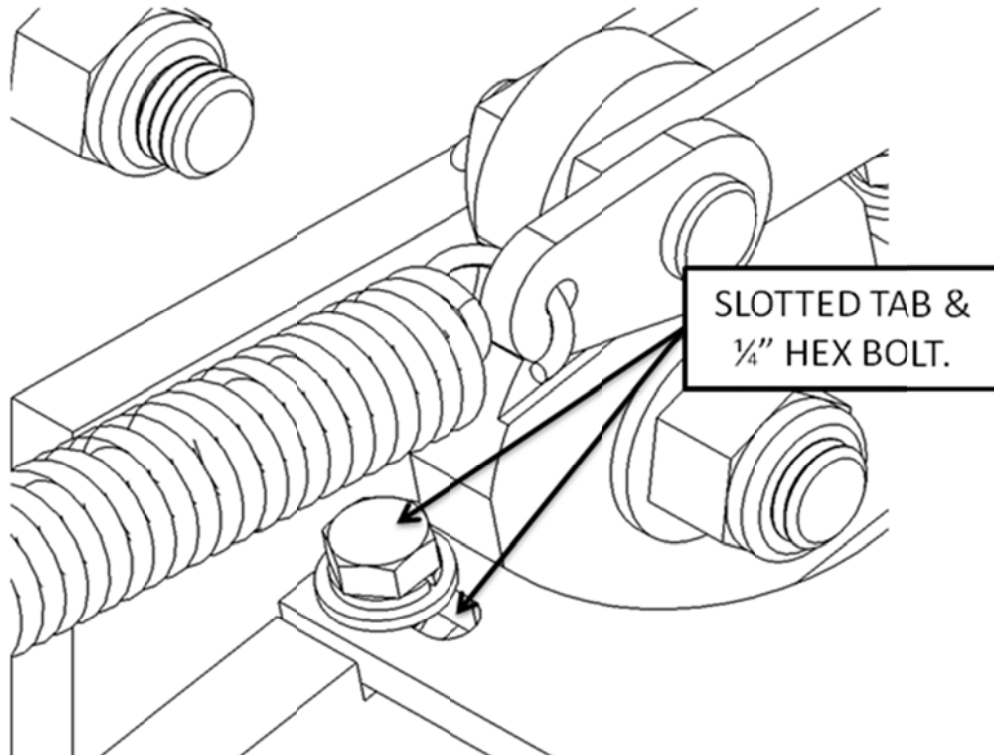
6. Tighten the 5/8" hex nuts to 150 lbs.-ft.
7. Once the bed rails are square and the center bolt kit is properly installed you can start the installation of the "HUSKY 10-26K".

## "HUSKY 10-26K" INSTALLATION

1. Place driver side assembly & passenger side assembly into base rail slots.
2. Insert base rail pins from rearward side of base rails and secure with clips.
3. Lift clevis/yoke located on driver side pivot up as far as it will go.

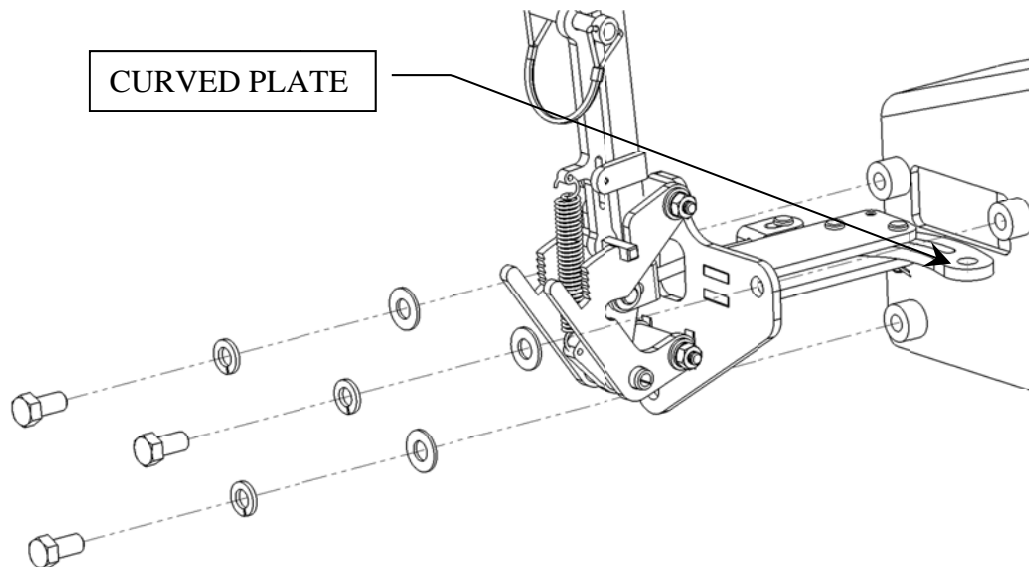


4. Place Husky pivot plate on recesses on pivot stops by tipping the passenger side assembly outward to get the plate in place. Slotted tabs on plate should rest in recesses on pivot stops.

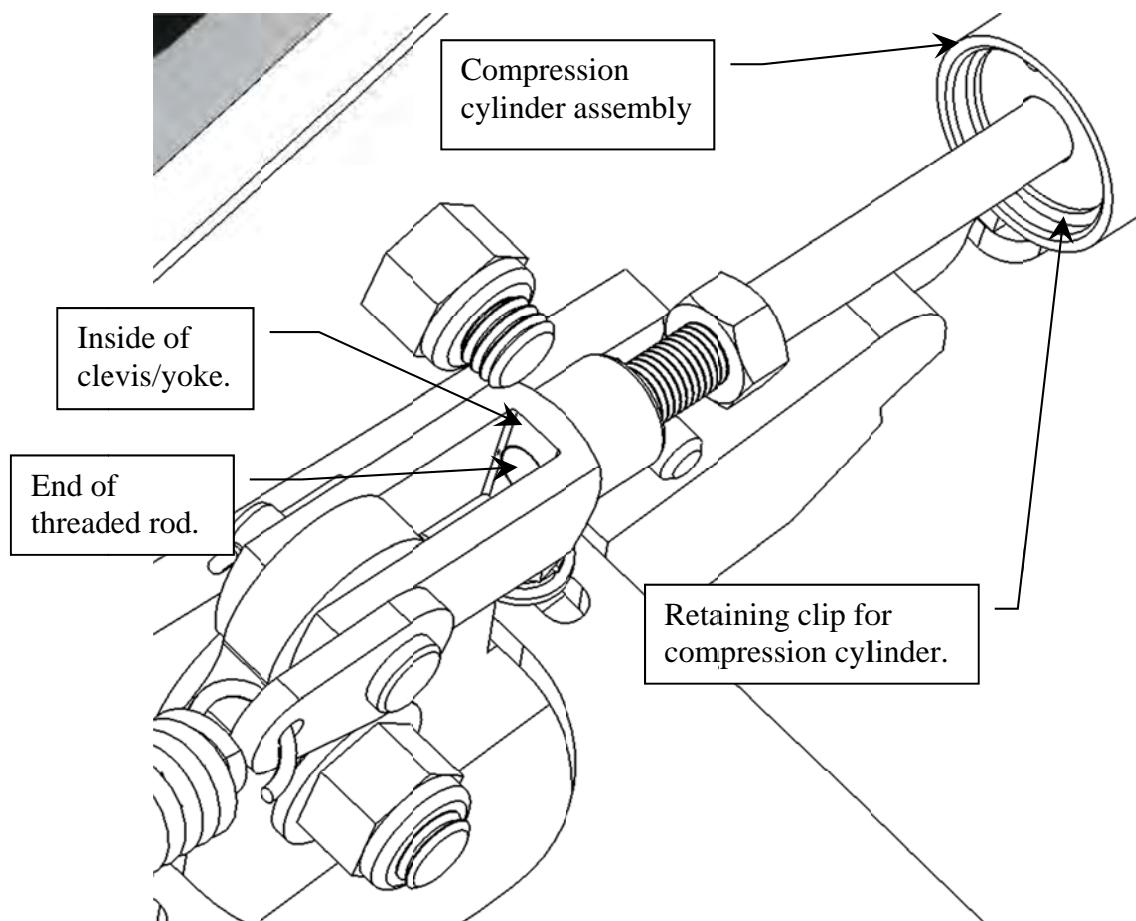


Using 1/4" bolts, flat washers and lock washers, thread into holes on pivot stops finger tight only.

5. Insert handle assembly into hole on outside of driver side housing and secure with 3/8" bolts, flat washers and lock washers and tighten to 30 lbs.-ft. You will have to twist the handle assembly to get the curved plate through the rectangular slot in the housing.

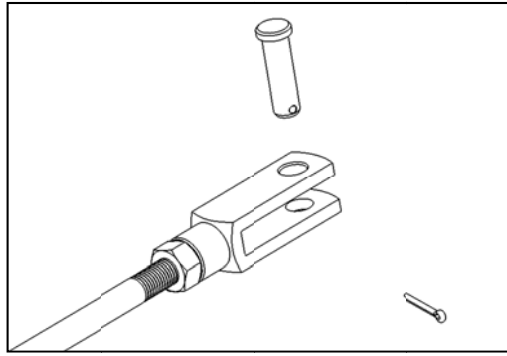


6. Screw compression cylinder assembly into threaded end of clevis/yoke on driver side assembly until end of threaded rod is flush to inside of clevis/yoke; tighten jam nut.  
**Note:** The retaining clip for the compression cylinder must face the pivot stop as shown.

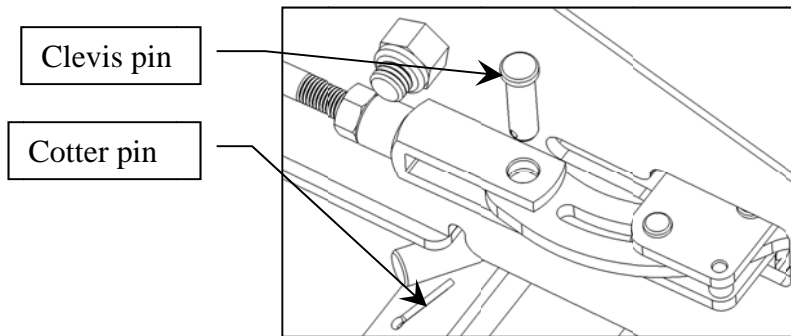




7. Remove 1/4" clevis pin from other clevis/yoke on compression cylinder assy.

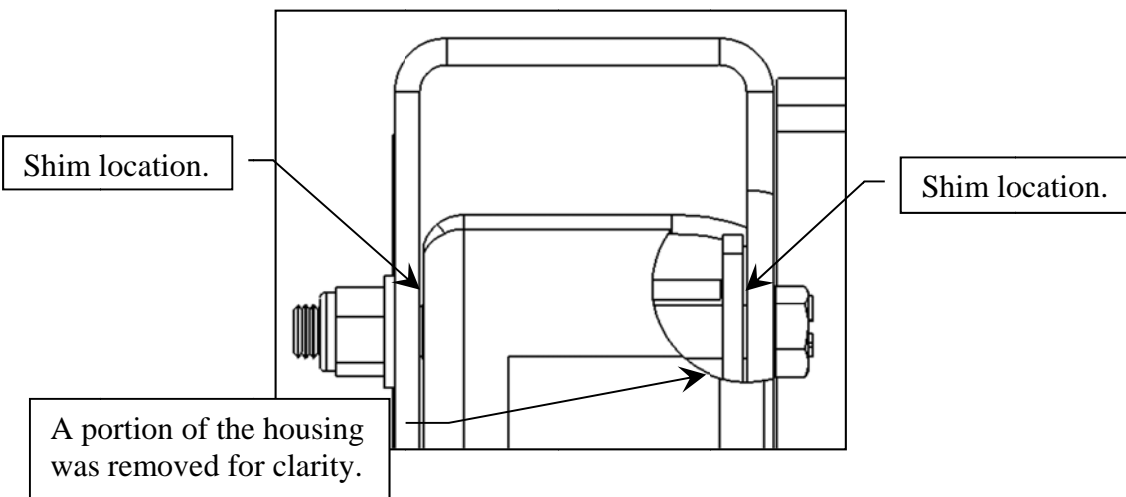


8. Align holes in clevis/yoke to hole in curved link plate. Insert clevis pin through holes and secure with cotter pin (Do not bend over legs of cotter pin yet).

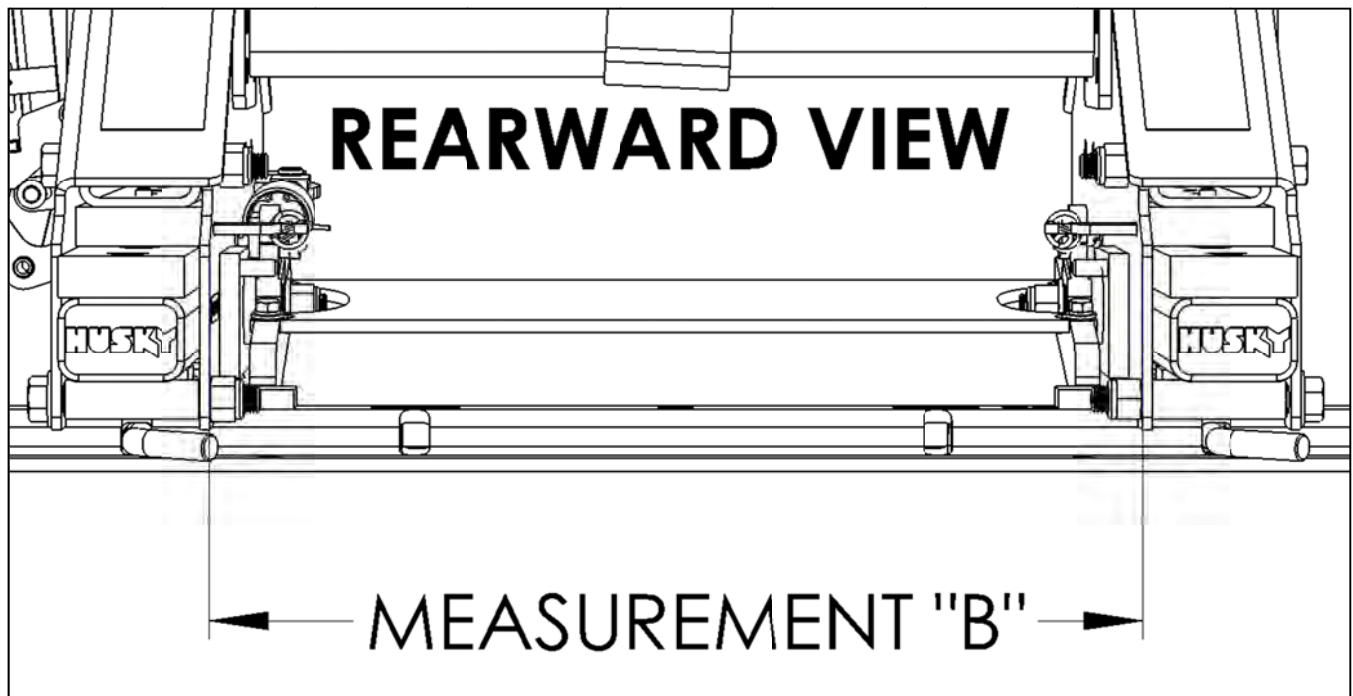
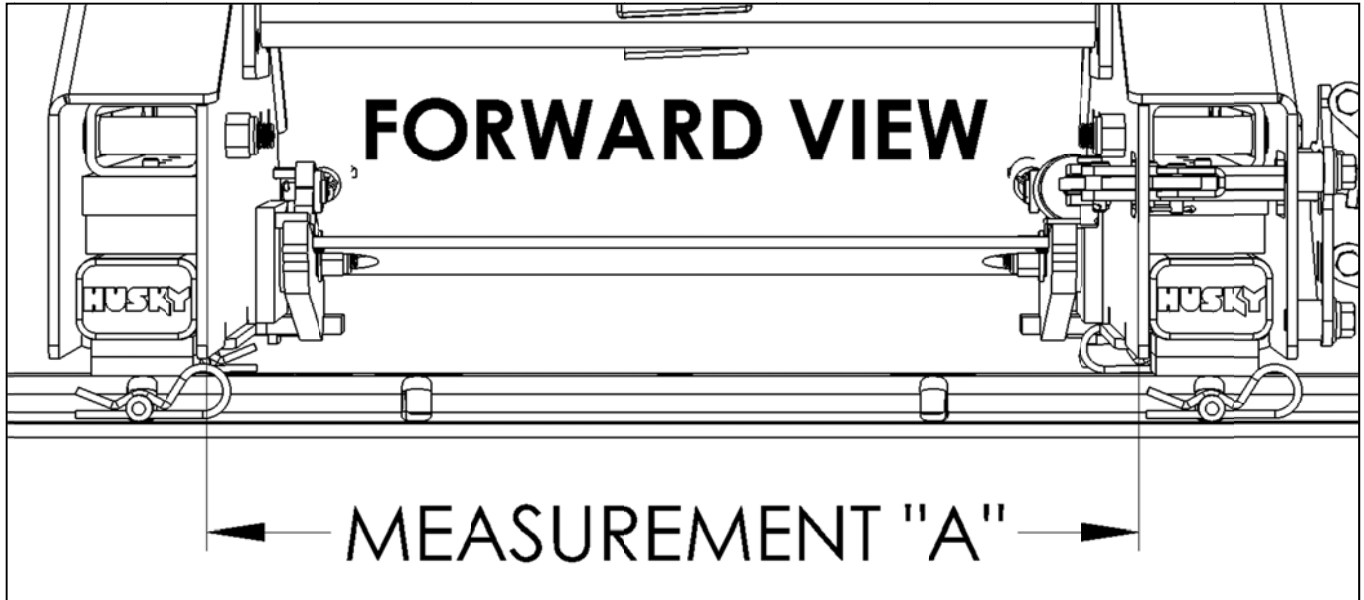


9. Push entire hitch assembly forward until there is no movement.

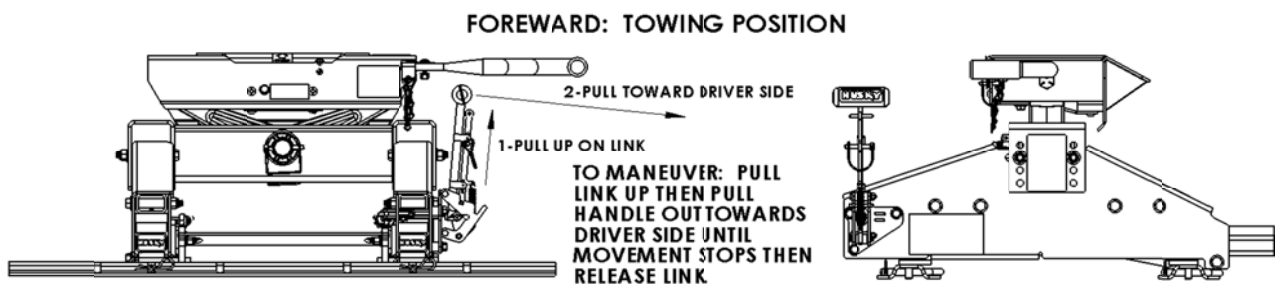
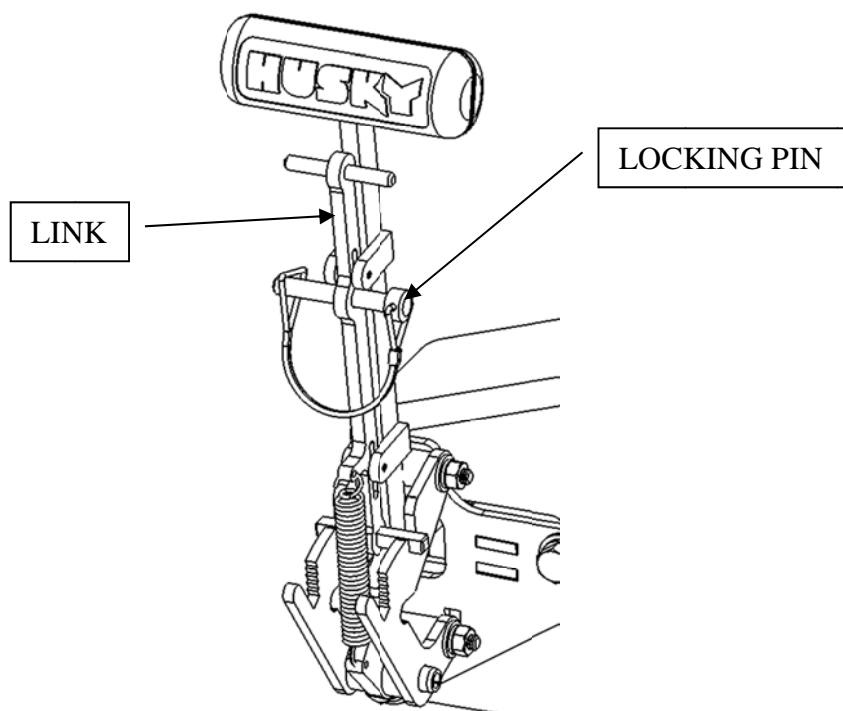
10. Install cross member and ensure it is centered and straight by shimming (if necessary) and then torque bolts to 75 lbs.-ft. Note: Multiple Shims can be stacked together if gap width is large.



11. After shimming of cross member is complete, measure "HUSKY 10-26K" at the indicated areas shown below. Compare measurements "A" and "B", if measurements are within 1/4" of each other proceed to the next step. If not, then determine which of the shims that were placed in the cross member can be moved to achieve this difference.



12. Remove locking pin and pull up on link and then out on handle and release link then slide hitch assembly into maneuver position to ensure it slides without binding.



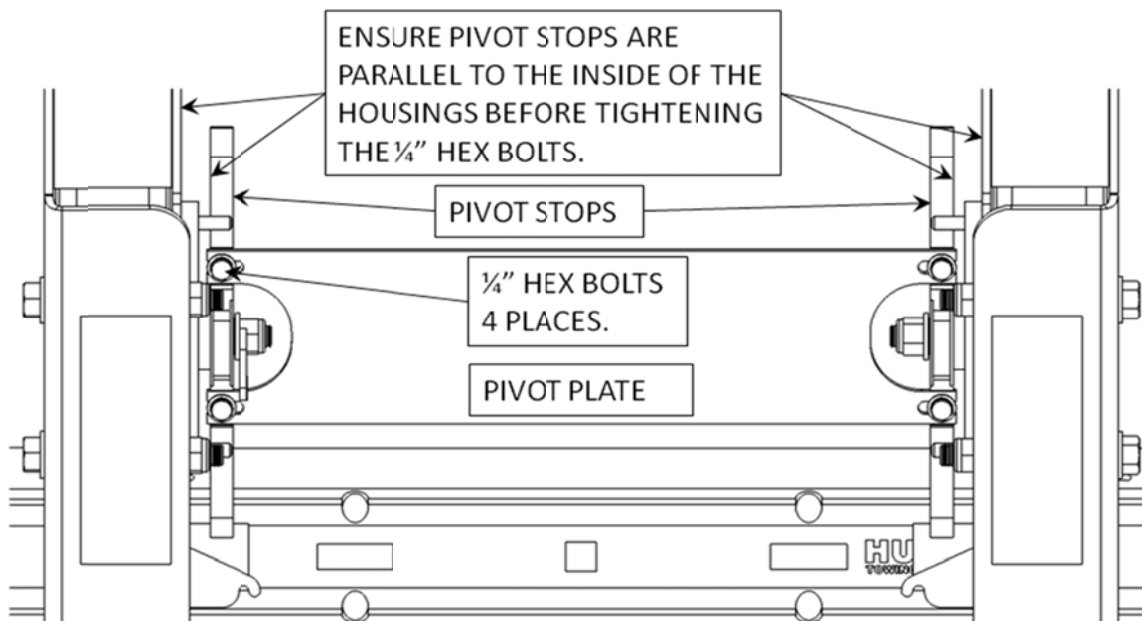
**⚠ WARNING:**

**DO NOT TOW WITH HITCH IN MANEUVERING POSITION  
CHECK HANDLE AND GLIDER POSITION BEFORE MOVING.**



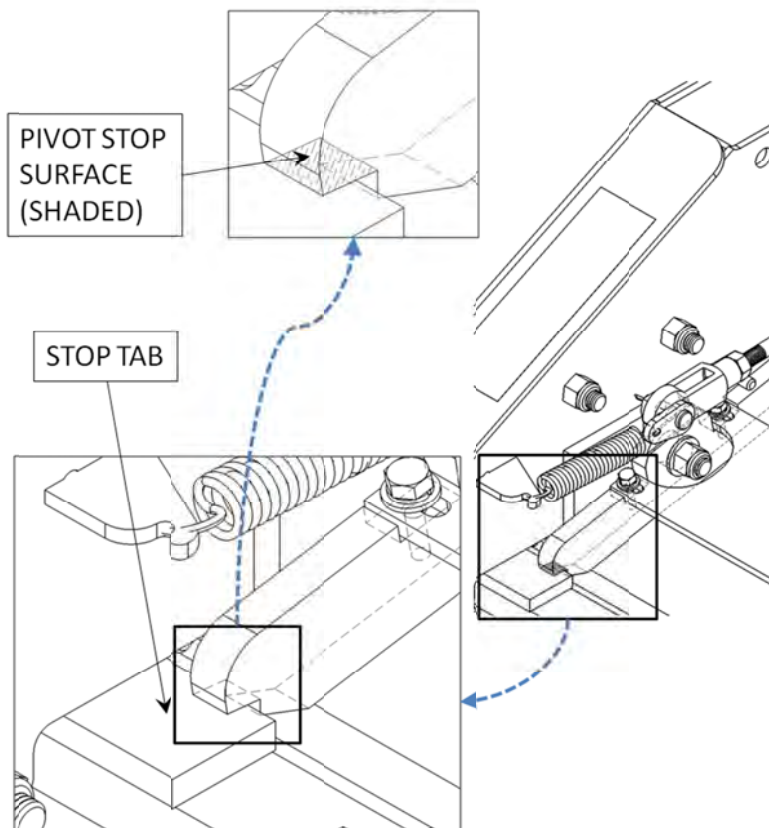
**REARWARD: MANEUVERING POSITION**

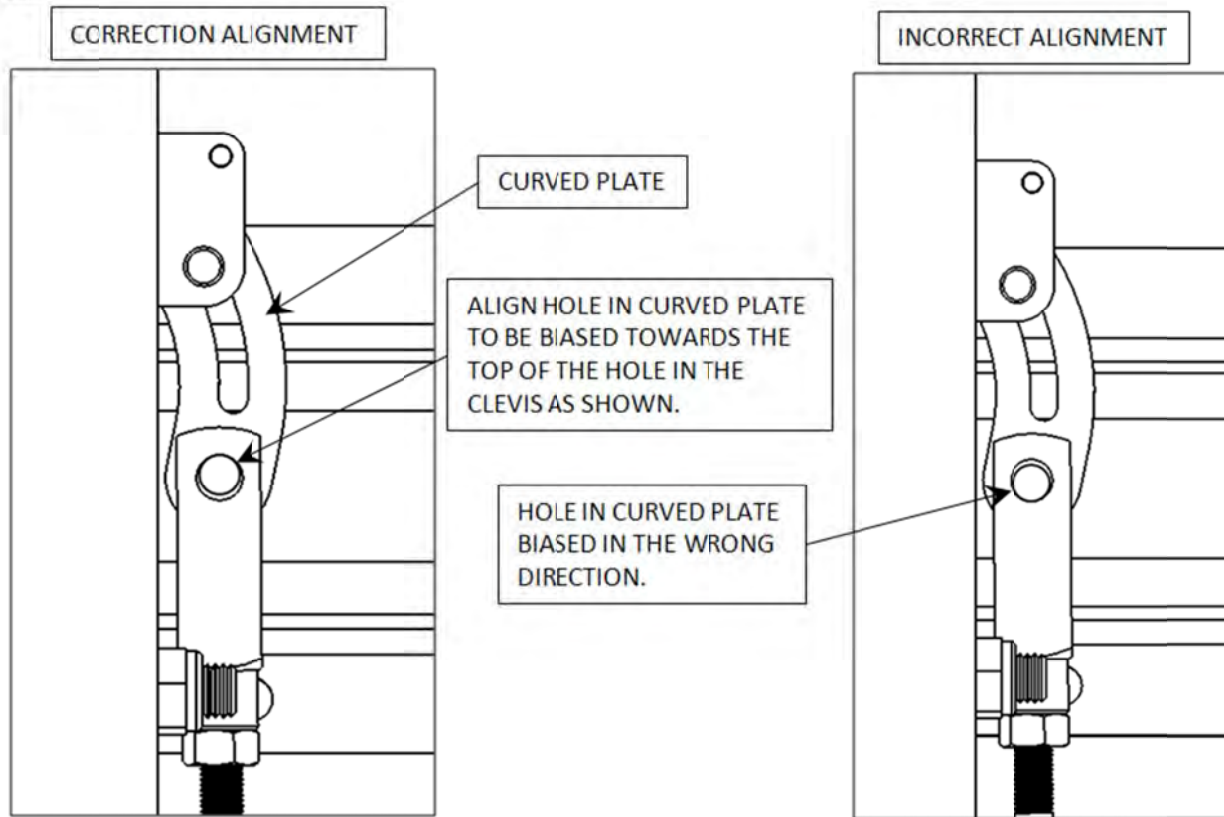
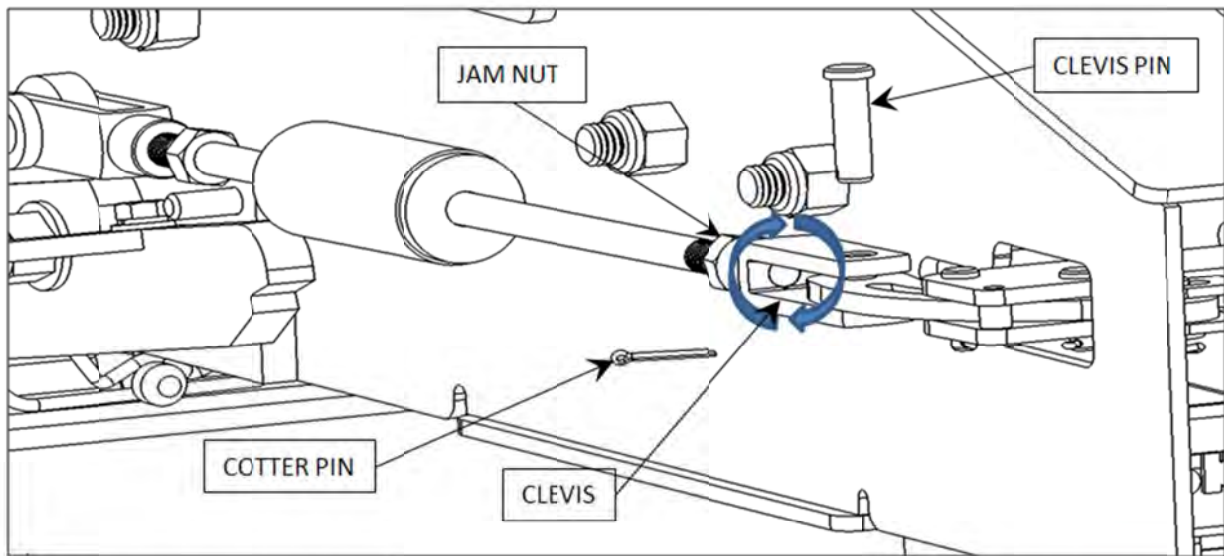
13. If it does move without binding then proceed to next step, if it does not, go back to step 10.
14. Return the handle to the driving position and slide the hitch assembly forward until it stops moving and the stops are engaged.
15. Center pivot plate left to right and also ensure that the pivot stops are straight relative to the side of the housing and then tighten the 1/4" bolts to 8 lbs.-ft.



Partial top View of hitch assembly  
some components removed to clarify instructions.

16. Check rotation of pivot plate and pivot stops to ensure it moves freely without binding.
17. With the hitch assembly in the driving position adjust the pivot stop surface so it just touches the stop tab by loosening the jam nut on the clevis/yoke, remove the cotter pin and clevis pin from the clevis that is furthest forward. Swing the clevis/yoke that is attached to the threaded shaft inwards away from the curved plate. Turn the clevis/yoke clockwise or counter clockwise to align the holes properly between the curved plate and the holes in the clevis/yoke as shown on page 13.





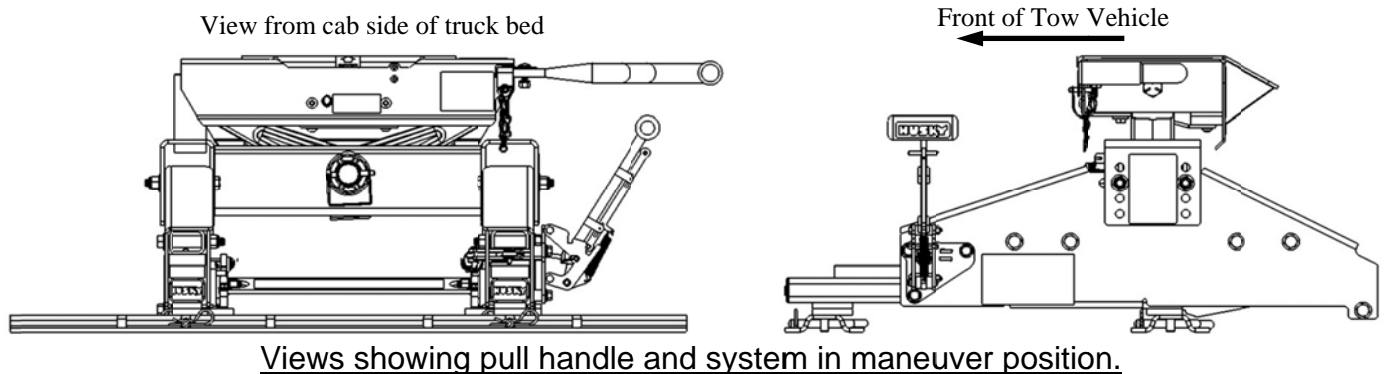
18. Re-install the clevis pin and the cotter pin.
19. Put the handle into the maneuver position and slide the hitch assembly into the maneuver position and confirm that the stop edge on the pivot stops touch the stop tab.
20. If all moves without binding and the pivot stop surface makes full contact with the stop tab in both positions then you are ready to complete the assembly by attaching the 5th wheel head and related components. Ensure cotter pin legs are bent over to prevent them from falling out.

# OPERATING INSTRUCTIONS

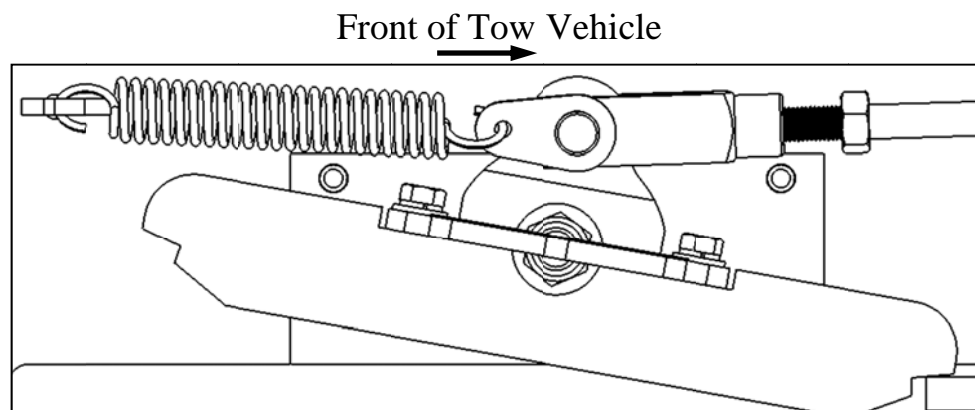
## To Maneuver:

The "HUSKY 10-26K" has an "anti-bind" feature that will allow you to change the locking handle position if the pivot stops are in a bind.

1. Align trailer and tow vehicle in a straight line on a level surface.
2. Pull up on link and out on handle then release link.



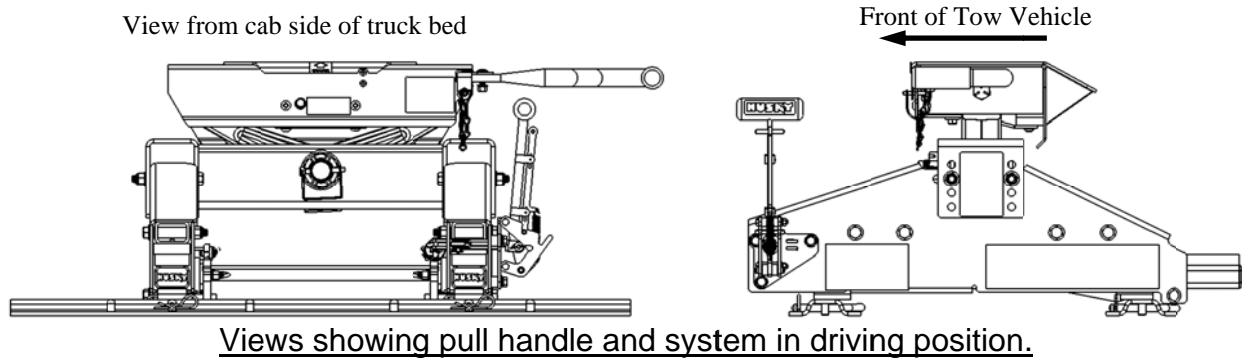
3. When the handle is put into the maneuver position, make note whether the pivot stops rotated or not. If they did then proceed to step 5.
4. If the pivot stops did not rotate then you will need to set the trailer brakes and then back the tow vehicle up slightly until you hear the pivot stops actuate. Then proceed to step 5.
5. Set the trailer brakes and slowly pull the tow vehicle forward until the "HUSKY 10-26K" stops moving and you hear the pivot stops engage.



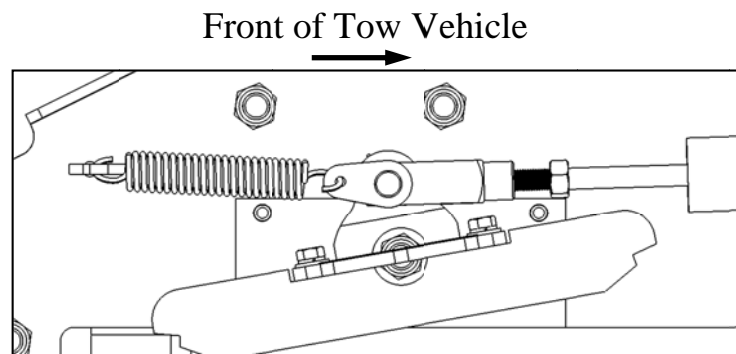
View showing pivot stops in the maneuver "locked" position from inside of the driver side assembly.

## To Tow:

1. Align trailer and tow vehicle in a straight line on a level surface.
2. Pull up on link and push in on the handle then release link.



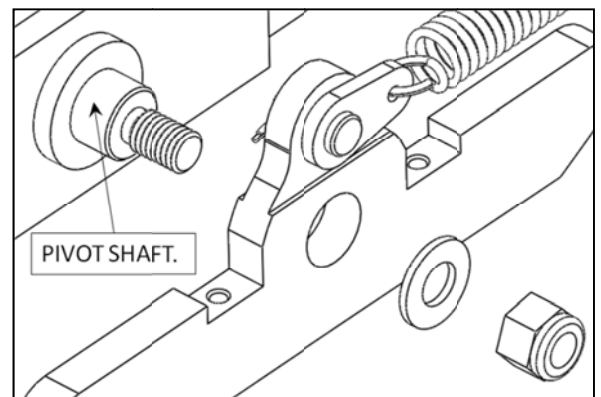
3. When the handle is put into the driving position, make note whether the pivot stops rotated or not. If they did then proceed to step 5.
4. If the pivot stops did not rotate then you will need to set the trailer brakes and then pull the tow vehicle forward slightly until you hear the pivot stops actuate. Then proceed to step 5.
5. Set the trailer brakes and slowly move the tow vehicle rearward until the "HUSKY 10-26K" stops moving and you hear the pivot stops engage.



View showing pivot stops in the driving "locked" position from inside of the driver side assembly.

## Maintenance and Care

1. Every 5,000 miles check all bolted connections to ensure the proper torque is applied. (see page 1 for proper torque values based on fastener size and grade.) Also, apply fresh grease to the pivot shafts to ensure trouble free movement of the pivot stops.
2. Using compressed air, clean cloth or hand brush periodically wipe off the sliding surface of the "HUSKY 10-26K" and also check to ensure there are no foreign objects in the hole recesses of the lower sliding pad as needed.
3. **Do not** use any kind of lubrication on the lower sliding pad as this may affect sliding performance and accelerate wear.
4. Before each trip, it is a good idea to check the actuating mechanisms of the "26K Husky 10" for proper movement and make any corrections/adjustments if needed.



# Warranty Terms:

## **10-Year Limited Warranty:**

This warranty applies solely to 5<sup>th</sup> Wheel Hitches manufactured by DTS Manufacturing for Husky Towing Products.

DTS Manufacturing, Husky Towing Products and Coast Distribution make no guarantees or warranties for products not manufactured by DTS Manufacturing. Such products are covered solely under any applicable warranty of the manufacturer. It is always recommended that the operating instructions and guarantee instructions provided by the manufacturer are followed.

DTS Manufacturing warrants its products to be free from manufacturing and material defects to the original purchaser for the length of warranty stated above from the date of retail purchase. If any products are found to have a manufacturing or material defect, the product will be replaced or repaired at the option of DTS Manufacturing, Husky Towing Products and Coast Distribution with proof of purchase by the original purchaser. The original purchaser shall pay all transportation and shipping costs associated with the return of the defective product and the defective product shall become the property of DTS Manufacturing.

The Warranty applies to DTS manufactured products used for individual and recreational purposes. Commercial usage of the DTS manufactured products limits the warranty to 90-days from date of purchase.

The Warranty applies only to DTS manufactured products which are found to be defective in manufacturing or material. This warranty does not apply to normal wear and tear of to the finished placed on DTS manufactured products.

DTS Manufacturing, Husky Towing Products and Coast Distribution are not responsible for any labor costs incurred for removal or replacement of the defective product.

DTS Manufacturing, Husky Towing Products and Coast Distribution are not responsible for repair or replacement of any product under the limited warranty where the product was improperly installed, misapplied, altered, abused, neglected, overloaded, misused or damaged as a result of an accident, including any use of the product not in accordance with all product operating and safety instructions.

Without limiting the generality of the foregoing, DTS Manufacturing, Husky Towing Products and Coast Distribution shall under no circumstances be liable for any incidental or consequential loss or damage whatsoever arising out of, or in any way relating to any such breach of warranty or claimed defect in, or non-performance of the products. Some states do not allow the exclusion or limitation of incidental or consequential damages, so the above exclusion or limitation may not apply to you.

This limited warranty gives you specific legal rights, and you may also have other rights that vary from state to state.





# Instrucciones de Instalación "HUSKY 10-26K" Pieza # 32042

<b>Distribuidor / instalador:</b>	Proporcione una copia de estas instrucciones al usuario final de este producto. Estas instrucciones proporcionan información operativa y de seguridad importante para el uso adecuado de este producto. Muestre el uso adecuado del producto al usuario final. Permita que el usuario final le demuestre que entendió el uso adecuado del producto.
<b>Usuario final:</b>	Lea y siga todas las instrucciones incluidas en este manual. Solicite asistencia a su distribuidor/instalador si no entiende el uso adecuado del producto. Nunca quite las calcomanías del producto.

**APLICACION:** Para su uso en pick-ups de cabinas cortas de no menos de 6-1/2 pies de largo.

**NOTA:** El "HUSKY 10-26K" debe utilizarse solamente con remolques de quinta rueda que pesan 26.000 libras o menos. Nunca lo utilice en remolques más pesados. Necesitará desmontar los soportes de su quinta rueda actual para instalar el "HUSKY 10-26K". El "HUSKY 10-26K" reemplaza aquellos soportes.

**Precaución:** El "HUSKY 10-26K" reposicionará su quinta rueda de 10" hacia atrás. **DE TODOS MODOS, esto NO garantizará un espacio completo entre la cabina y el remolque del camión durante el remolque o cuando se realicen giros bruscos. Consulte la página 2, "Espacio entre la Cabina y el Remolque de Quinta Rueda".**

**Especificación de la Torsión del Sujetador de Husky**

ESPECIFICACIONES DE TORSIÓN DE LOS PERNOSE EN EEUU				
TORSIÓN EN LIBRAS-PIE				
DIAM. DEL PERNO	PASO DE ROSCA	GRADO		
		2	5	8
1/4	20	4	8	12
1/4	28	6	10	14
5/16	18	9	17	25
5/16	24	12	19	29
3/8	16	16	30	45
3/8	24	22	35	50
7/16	14	24	50	70
7/16	20	34	55	80
1/2	13	38	75	110
1/2	20	52	90	120
9/16	12	52	110	150
9/16	18	71	120	170
5/8	11	98	150	220
5/8	18	115	180	240
3/4	10	157	260	380
3/4	16	180	300	420

IDENTIFICADORES DEL GRADO DEL PERNO SEGÚN SAE

GRADO 2

GRADO 5

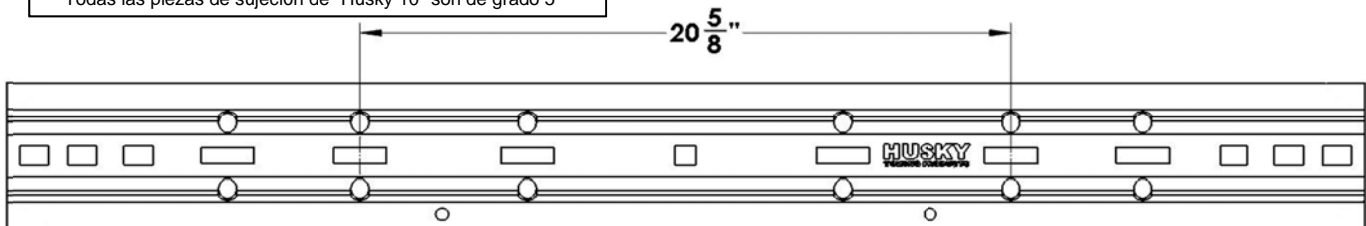
GRADO 8

Todas las piezas de sujeción de "Husky 10" son de grado 5

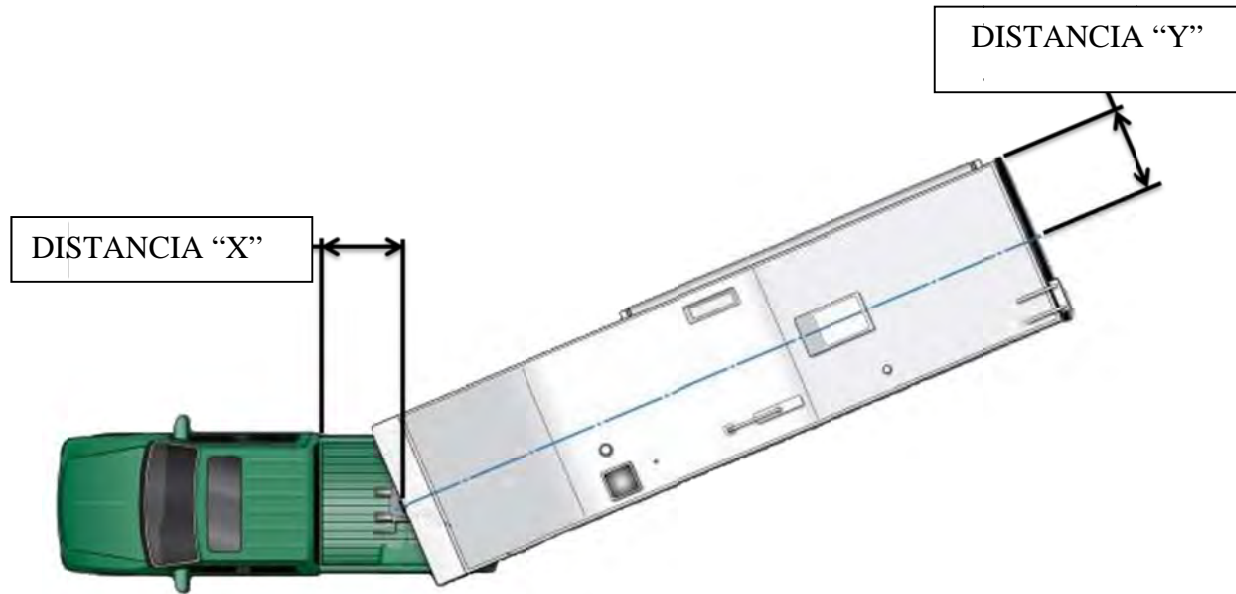
**ADVERTENCIA**

**El Husky 10-26K NO debe utilizarse con cajas de conectores rotativos que requieran una "cuña"; como ser REESE Sidewinder, REESE Revolution, 5<sup>th</sup> Airborne Sidewinder. El uso de estos productos puede dañar al mismo y anulará la garantía.**

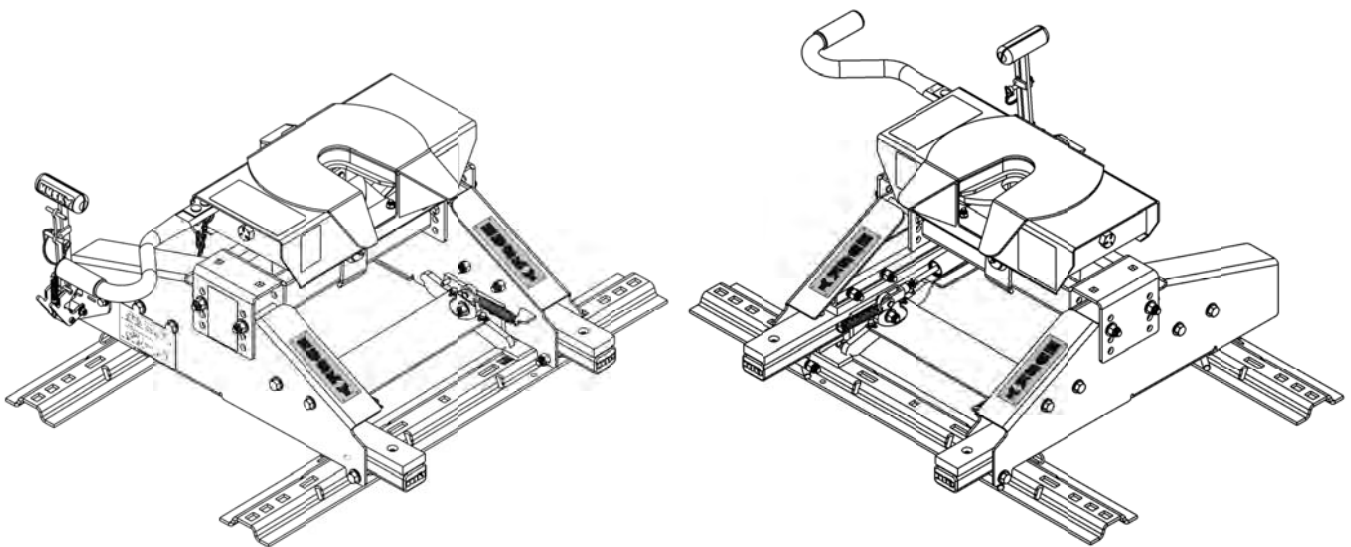
**El "HUSKY 10-26K" solo funcionará en las ranuras de los rieles separados en 20-5/8". Utilice solo enganches de quinta rueda Husky con este producto.**



## Espacio entre la cabina y el remolque de quinta rueda



**¡NOTA!** No todos los remolques de quinta rueda son iguales, es responsabilidad de los conductores determinar qué tipo de espacio entre el remolque y la cabina será necesario al momento del enganche. Esto puede determinarse midiendo la distancia del centro del enganche de la quinta rueda hasta la parte trasera de la cabina del camión (DISTANCIA "X"), y agregando 4 pulgadas. Luego, mida el ancho del remolque y divídalo en dos, esto dará como resultado la (DISTANCIA "Y"). La DISTANCIA "X" debe ser igual o mayor que la DISTANCIA "Y". Esto no significa que su remolque de quinta rueda no pueda tener contacto con la cabina. Siempre debe contar con un espejo retrovisor para que lo ayude a tener cuidado cuando realiza giros.

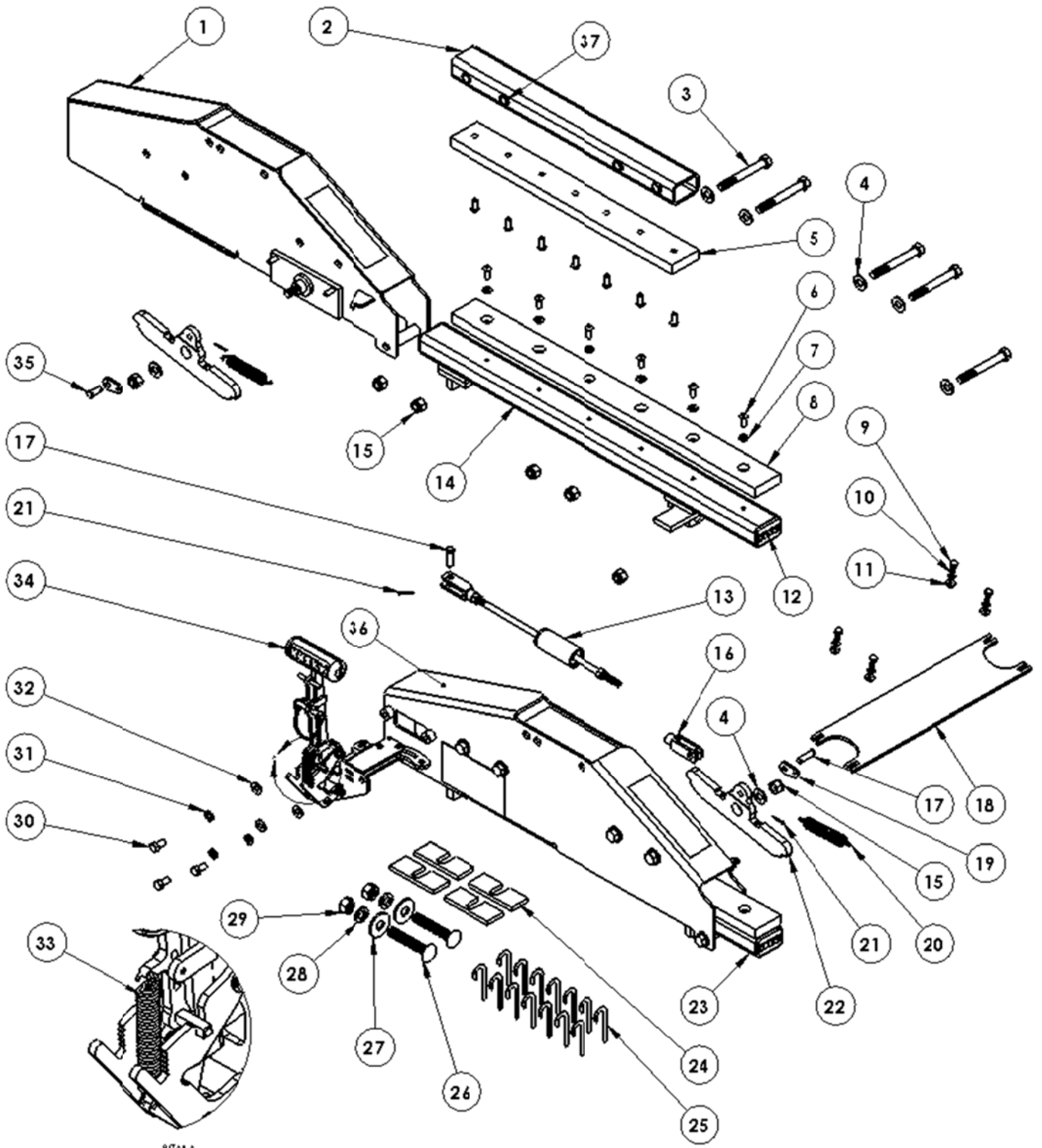


El Husky 10-26K es un producto patentado de Husky Towing Products. Ver Patente N° 8.727.369.



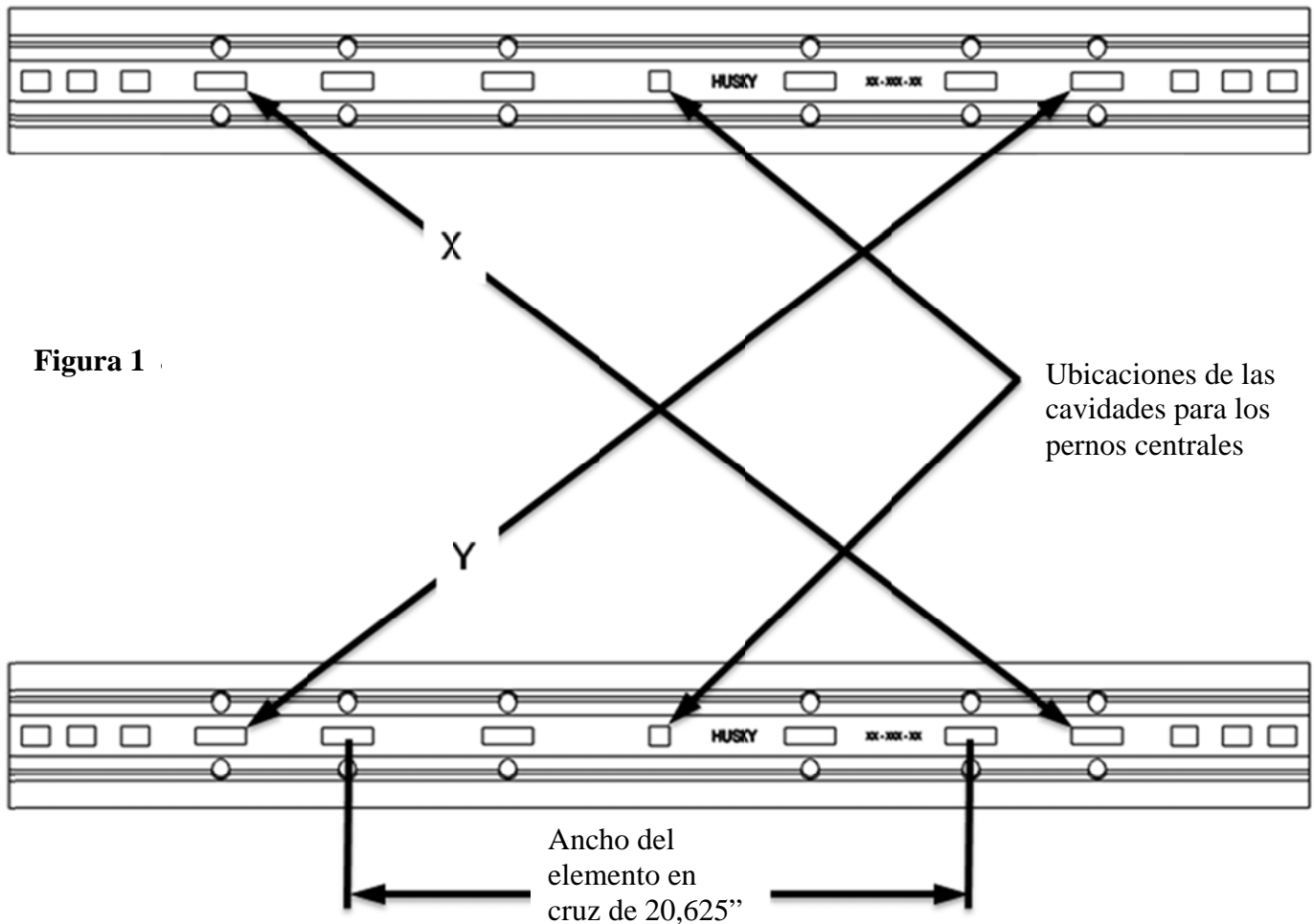
LLAVE Y TOMA DE 7/16"	LLAVE DE TORSIÓN (150 LIBRAS-PIE MIN.)
-----------------------	--

\*Estas herramientas se necesitan solo si no tienen un kit de pernos central instalado en sus rieles base.

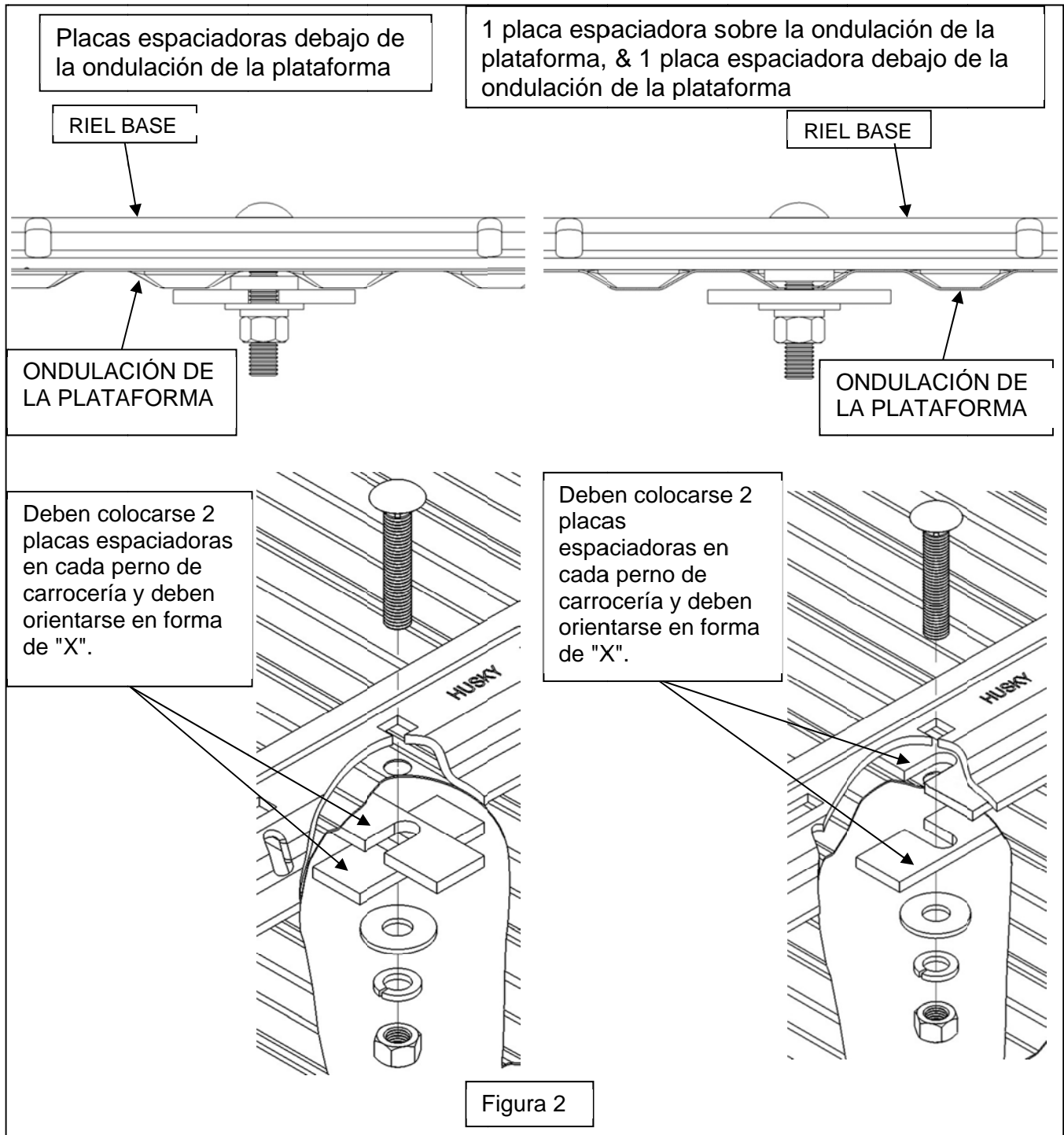


01774 2  
SCHIEF 1:1

Antes de proceder al ensamblaje del "HUSKY 10-26K", asegúrese de que los rieles base estén colocados adecuadamente y en escuadra. Mida de forma diagonal entre los rieles. Véase la Figura 1. Las medidas de "X" e "Y" deben ser de aproximadamente 3/16" entre cada una. Estas medidas son importantes para el correcto ajuste y funcionamiento del "HUSKY 10-26K".



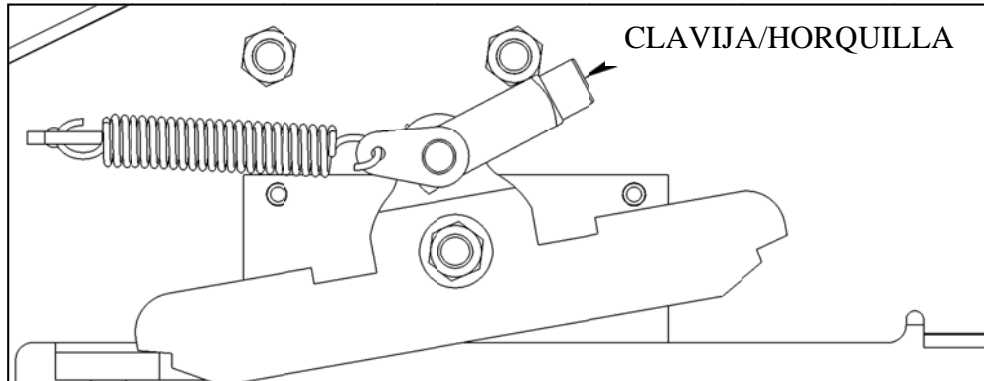
2. Instale el kit central de pernos Husky utilizando las piezas que se proporcionan en este kit.
3. Ubique la cavidad central en cada riel base. Véase la Figura 1. Utilizando estas cavidades como guía, realice un agujero de 5/8" en la plataforma. **Confirme que el tanque de combustible, las conexiones de freno/combustible y el cableado eléctrico ubicados debajo de la plataforma no se encuentren en el lugar donde se vaya a realizar la perforación en este paso.**
4. Coloque los pernos de carrocería 5/8 proporcionados en el centro de las ubicaciones para pernos en la plataforma.
5. Controle las ondulaciones en el piso de la plataforma y coloque una placa espaciadora en la posición correcta, tal como se muestra. Véase la Figura 2.



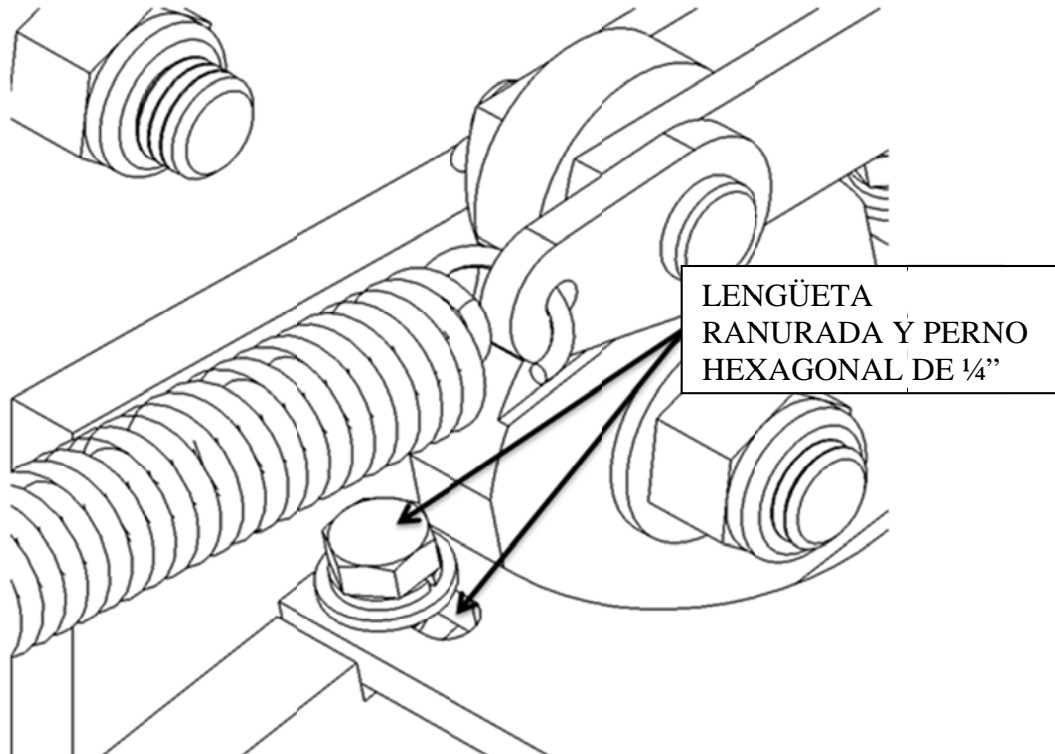
6. Ajuste las tuercas hexagonales de 5/8" a 150 libras-pie.
7. Una vez que los rieles de la plataforma están en escuadra y el kit central de pernos ha sido correctamente instalado, puede comenzar con la instalación del "HUSKY 10-26K".

## INSTALACIÓN DE "HUSKY 10-26K"

1. Coloque el ensamble del lado del conductor y el ensamble del lado del pasajero en las ranuras del riel base.
2. Inserte los pernos de los rieles base desde el lado trasero de los rieles base y ajústelos con ganchos.
3. Eleve la clavija/horquilla ubicada del lado del conductor hasta su punto máximo.



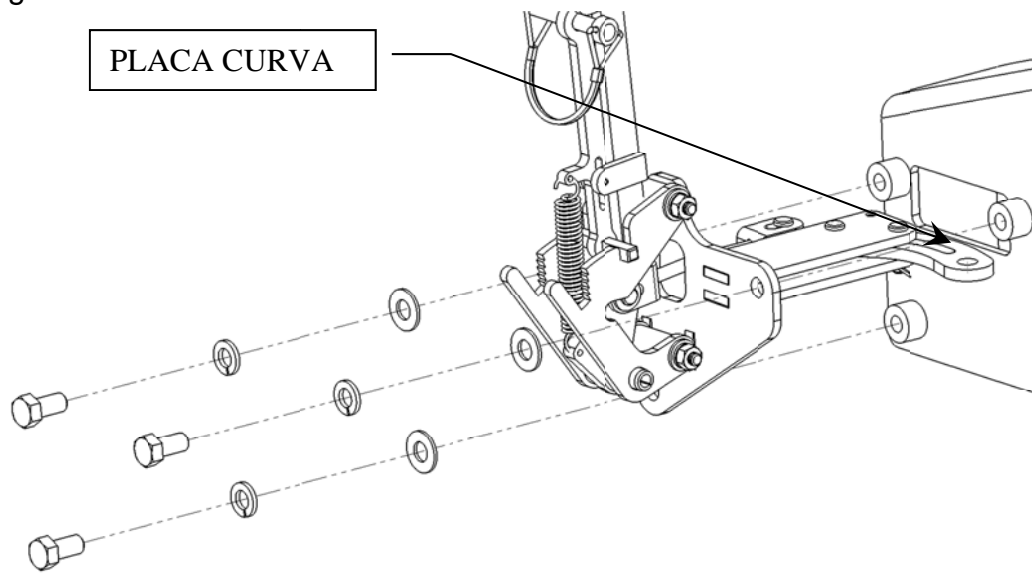
4. Coloque la placa del pivote de Husky en las cavidades de los toques del pivote al inclinar el ensamble del lado del pasajero hacia afuera para que la placa quede en su lugar. Las presillas con ranuras deben permanecer en las cavidades de los toques del pivote.



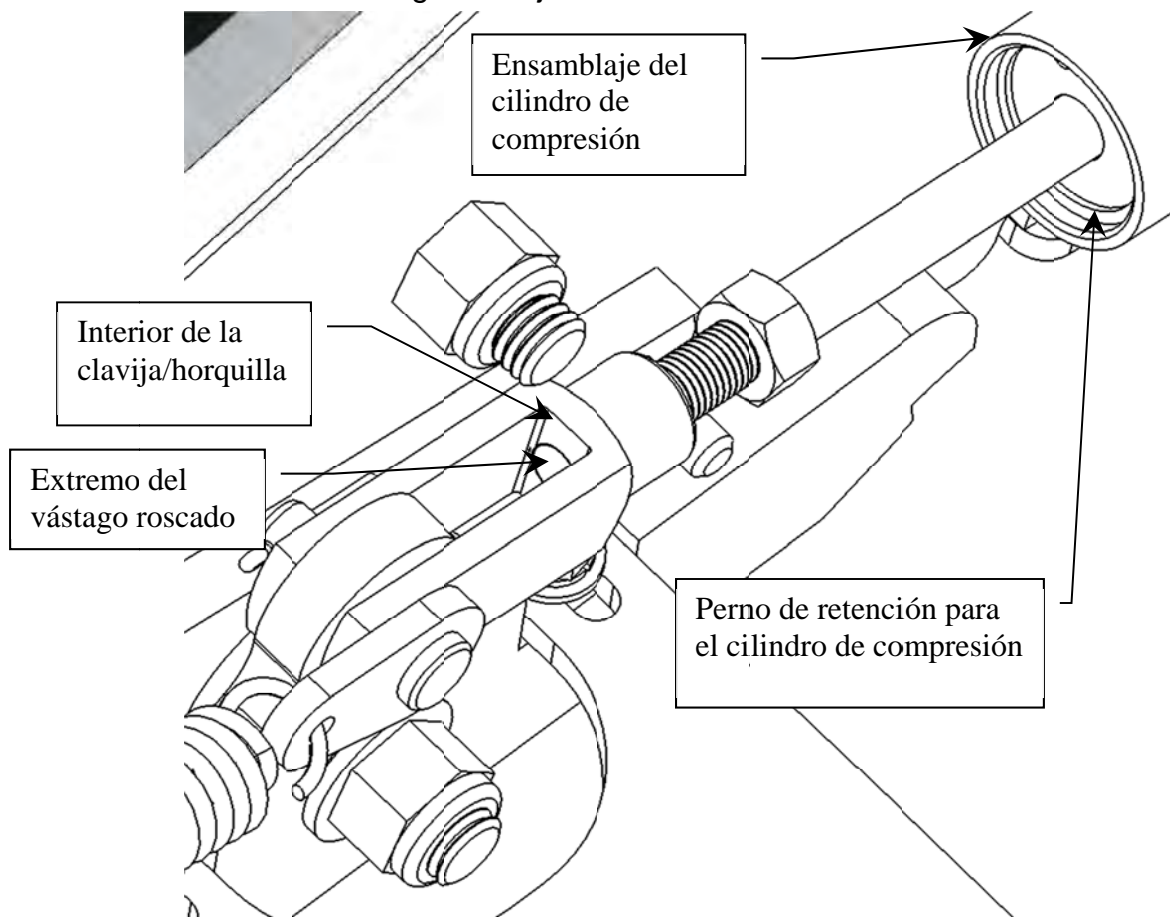
Coloque los pernos de 1/4", y las arandelas planas y de seguridad, en los agujeros de los toques del pivote; ajuste solo mediante apriete manual.



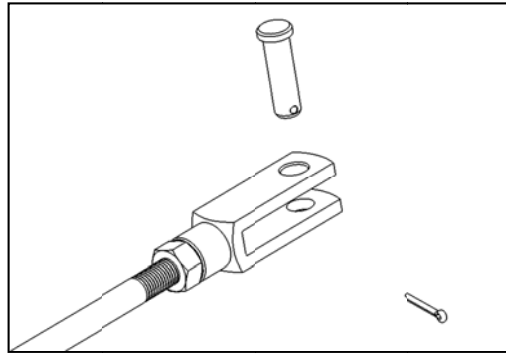
5. Inserte el ensamblaje del mango en la cavidad ubicada fuera del lado del conductor y ajústelo con pernos de 3/8", arandelas planas y de seguridad; y apriete hasta 30 libras-pie. Tendrá que girar el ensamblaje del mango para que la placa curva pase por la ranura rectangular en la cubierta.



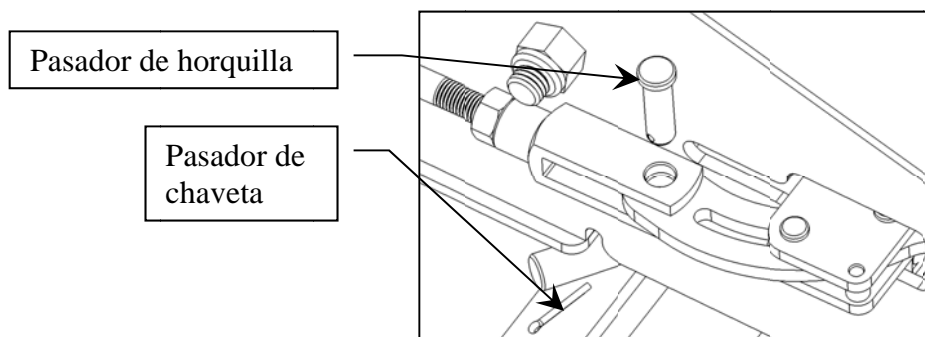
6. Atornille el ensamblaje del cilindro de compresión en el extremo roscado de la clavija/horquilla en el ensamblaje del lado del conductor hasta que el extremo del vástago roscado quede alineado al interior de la tuerca de bloqueo de la clavija/horquilla. **Nota:** El perno de retención para la compresión del cilindro debe mirar hacia el tope del pivote, tal como se muestra en la figura abajo.



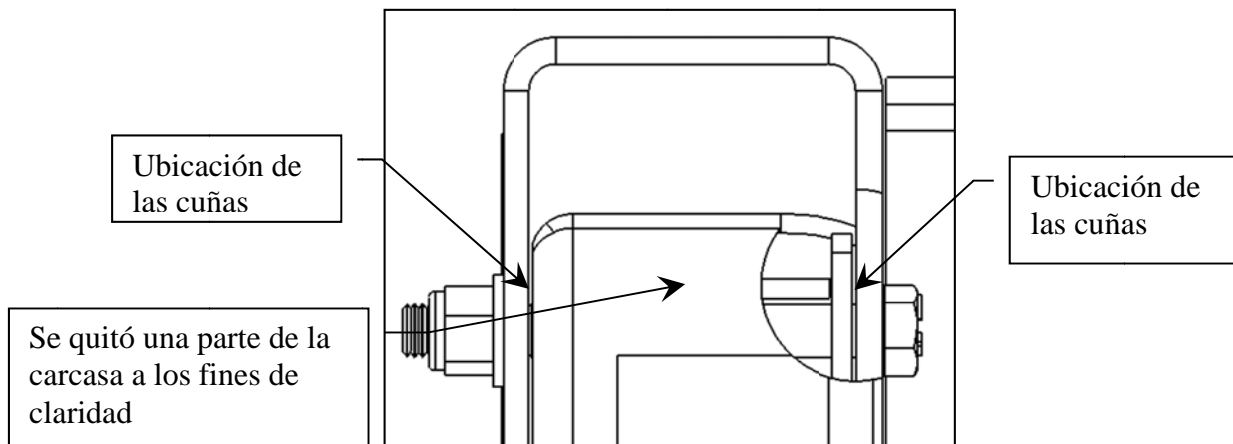
7. Quite el pasador de horquilla de un 1/4" de la otra clavija/horquilla del montaje del cilindro de compresión.



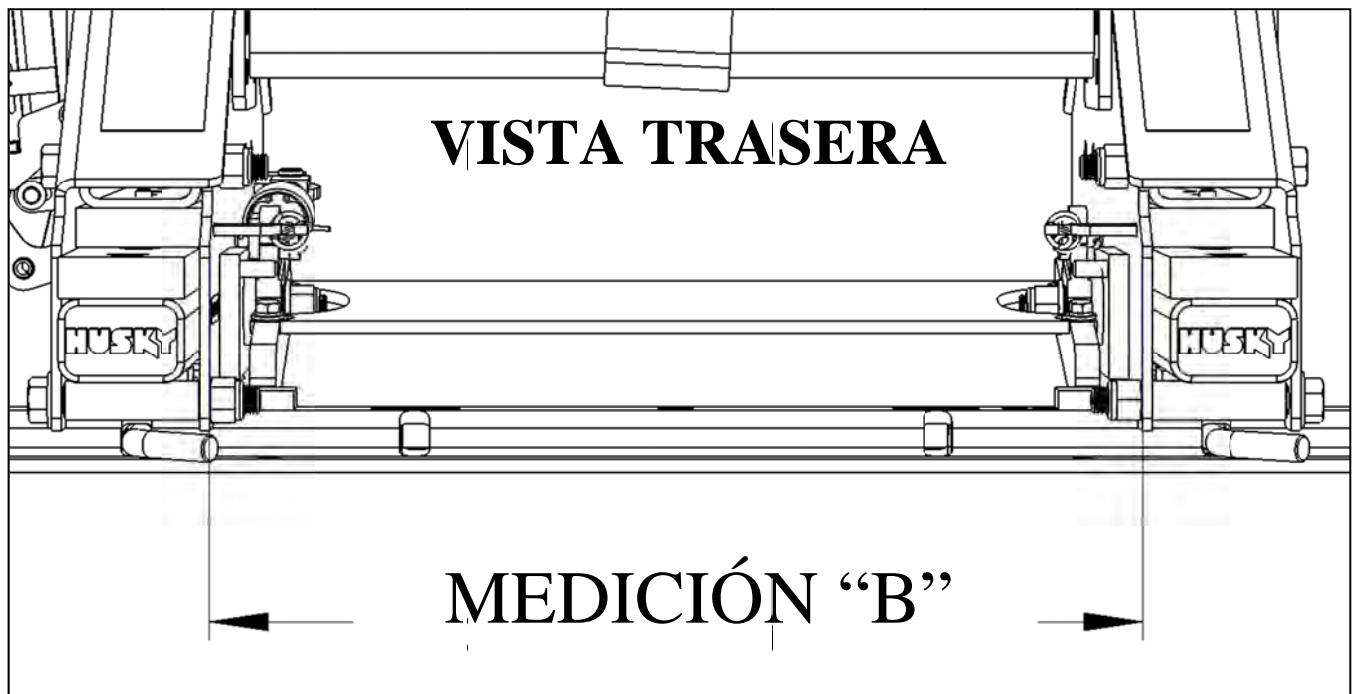
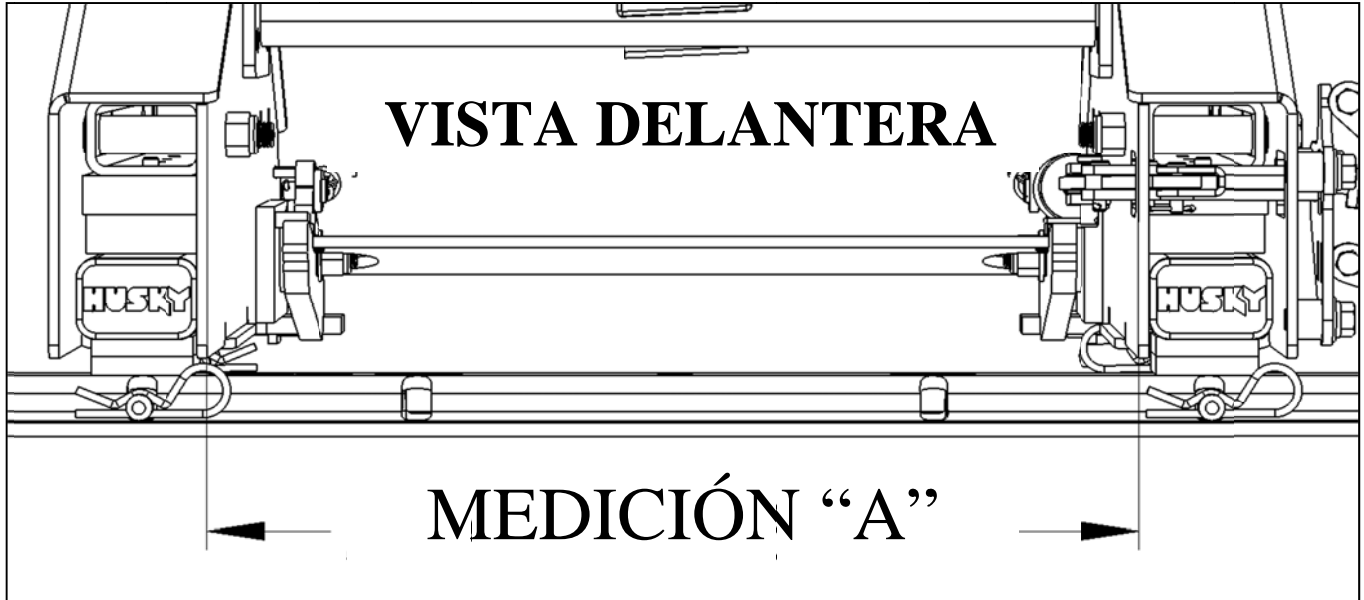
8. Alinee los agujeros en la clavija/horquilla para insertarla en el agujero de la placa curva de unión. Inserte el pasador de horquilla en los agujeros, y asegúrelo con un pasador de chaveta (No doble aún las patas del pasador de chaveta).



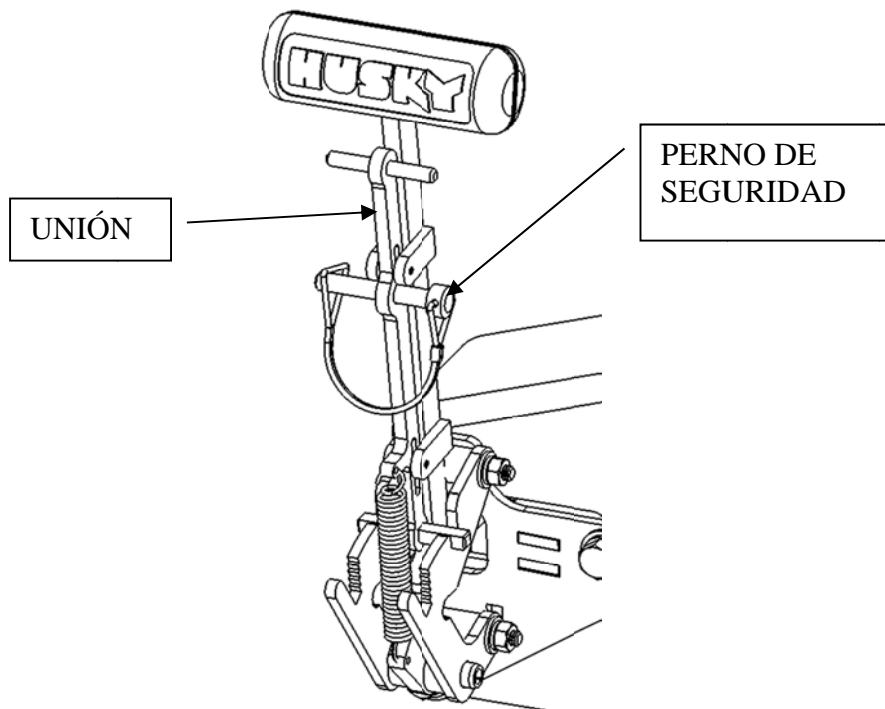
9. Presione todo el ensamblaje del enganche hacia adelante hasta que no haya movimiento.  
10. Instale el elemento en cruz y asegúrese de que esté centrado y derecho al suplementarlo (si fuese necesario); luego, apriete los pernos hasta 75 libras-pie. Nota: Pueden agruparse varias cuñas si el ancho de la ranura es grande.



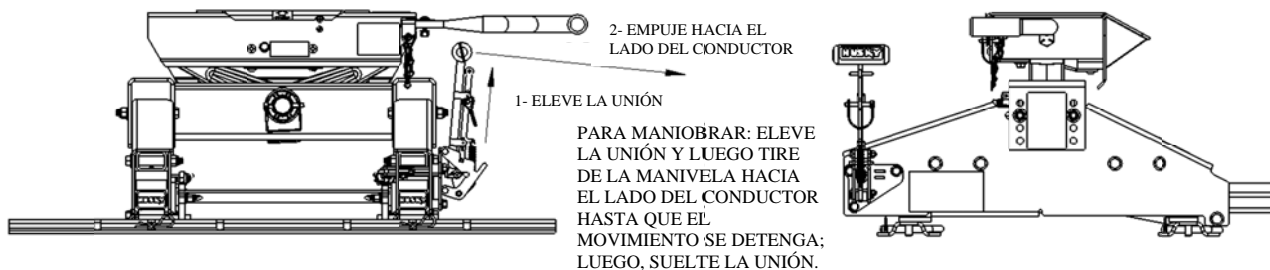
11. Luego de terminar de instalar el elemento en cruz, mida el "HUSKY 10-26K" en las áreas indicadas, tal cual se muestra a continuación. Compare las mediciones "A" y "B"; si las mediciones están dentro de 1/4" entre cada una, proceda con el paso siguiente. Si no lo están, entonces controle cuáles de las cuñas que fueron colocadas en el elemento en cruz puede moverse a fin de lograr esta diferencia.



12. Quite el perno de seguridad y eleve la unión; luego, quite la manivela y suelte la unión. Deslice el ensamblaje del enganche hacia la posición de maniobra para garantizar que se desliza libremente.

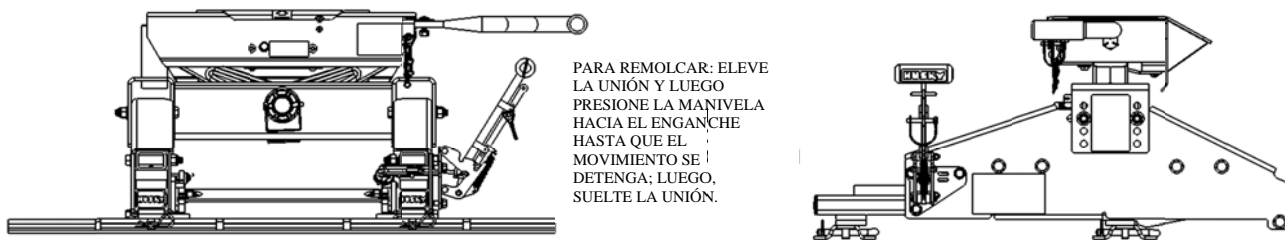


**FRENTE: POSICIÓN DE REMOLQUE**



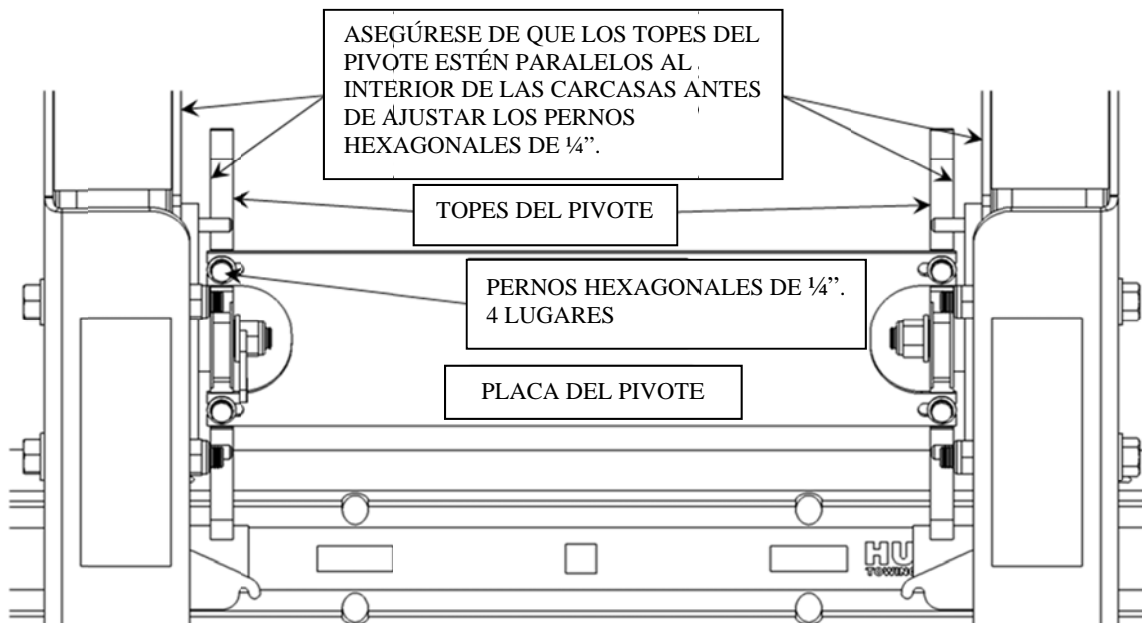
**⚠ ADVERTENCIA:**

NO REMOLQUE CON ENGANCHE EN LA POSICIÓN DE MANIOBRA. CONTROLE LA MANIVELA Y LA POSICIÓN DE DESLIZAMIENTO ANTES DE MOVER EL



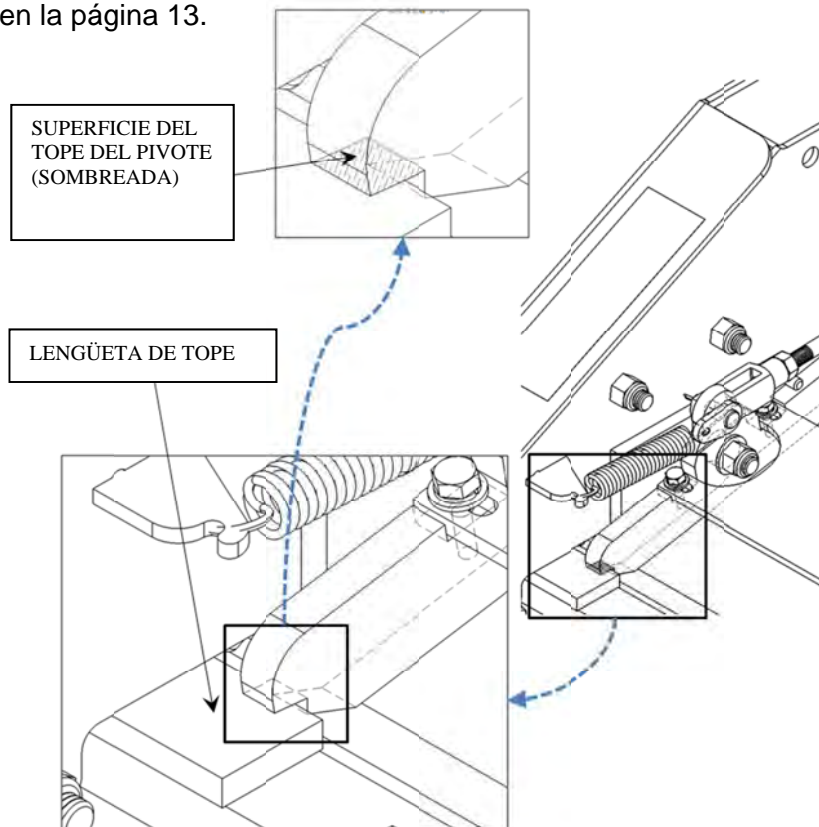
**ATRÁS: POSICIÓN DE MANIOBRA**

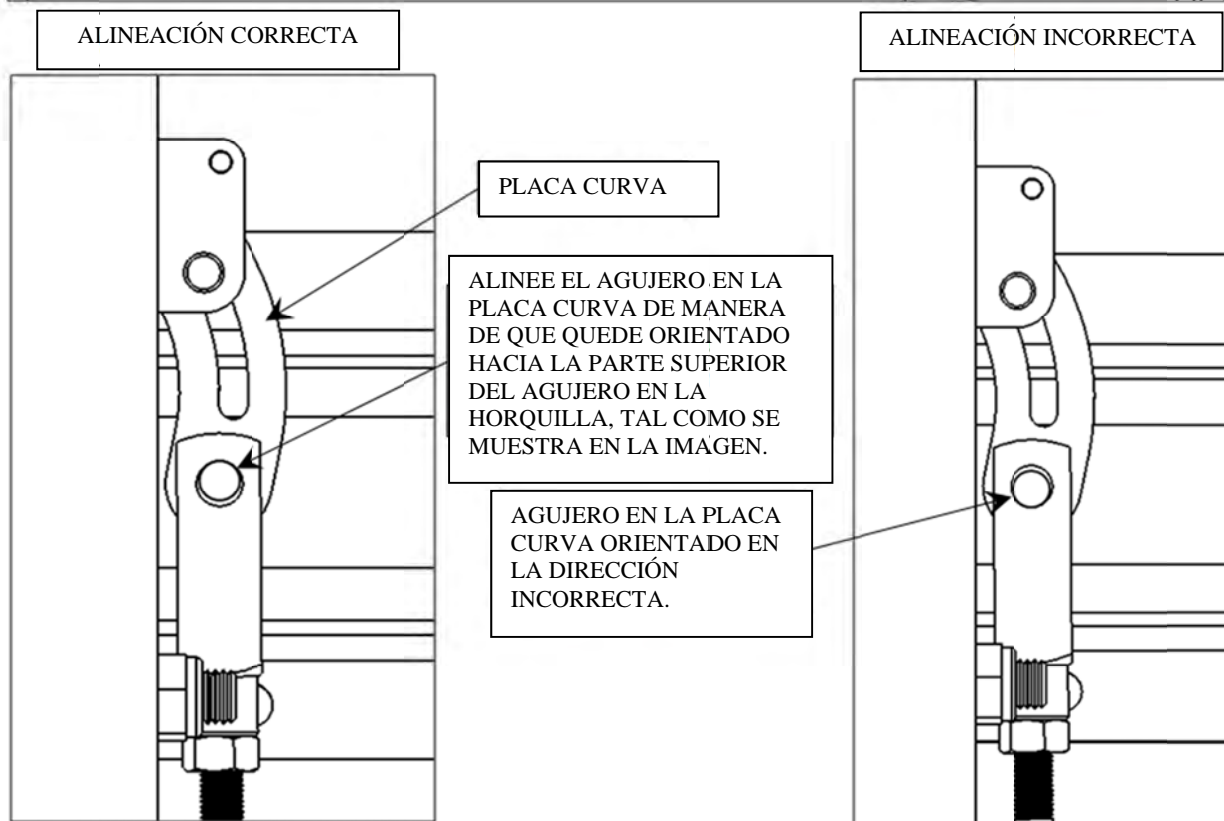
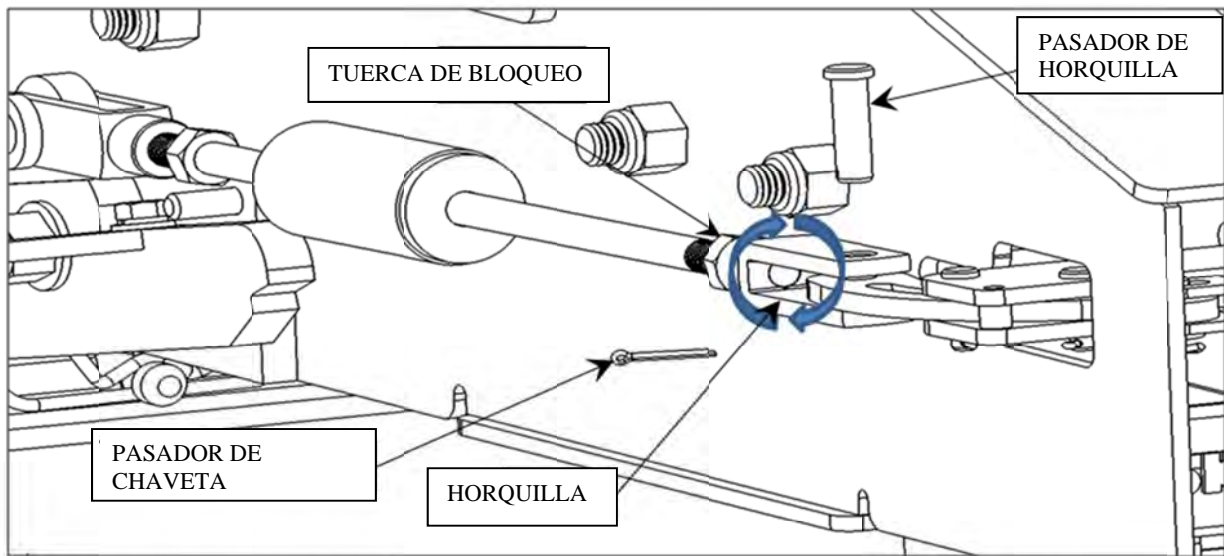
13. Si se mueve correctamente sin trabarse, entonces continúe con el paso siguiente; si no lo hace, repita el paso 10.
14. Vuelva a colocar la manivela a la posición de manejo y deslice el ensamblaje del enganche hacia adelante hasta que pare de moverse y hasta que los topes estén acoplados.
15. Centre la placa del pivote de izquierda a derecha; también asegúrese de que los topes del pivote estén directamente conectados al lateral de la carcasa; luego, ajuste los pernos 1/4" a libras-pie.



Vista superior parcial del ensamblaje del enganche;  
algunos componentes fueron extraídos a los fines de claridad en las instrucciones.

16. Controle la rotación de la placa del pivote y los topes del pivote para asegurarse de que se mueva libremente sin traba.
17. Con el ensamblaje del enganche en la posición de manejo, ajuste la superficie del tope del pivote de manera tal que sólo toque la lengüeta del tope; hágalo desajustando la tuerca de bloqueo en la clavija/horquilla, y quite el pasador de chaveta y el pasador de horquilla de la clavija que se encuentra más afuera. Invierta la clavija/horquilla que está unida al eje roscado entrante fuera de la placa curva. Gire la clavija/horquilla en sentido horario o contrario al mismo para alinear los agujeros de forma adecuada entre la placa curva y los agujeros en la clavija/horquilla, tal como se muestra en la página 13.





18. Vuelva a colocar el pasador de horquilla y el pasador de chaveta.
19. Coloque la manivela en la posición del manubrio; deslice el ensamblaje del enganche a la posición del manubrio; y confirme que el extremo de los topes del pivote toquen la lengüeta del tope.
20. Si todo se mueve correctamente sin atorarse y la superficie del tope del pivote hace contacto total con la lengüeta del tope en ambas posiciones, entonces usted está listo para completar el ensamblaje uniendo la cabeza de la quinta rueda y componentes relacionados. Asegúrese de que las patas del pasador de chaveta estén inclinadas a fin de evitar que se desprendan.

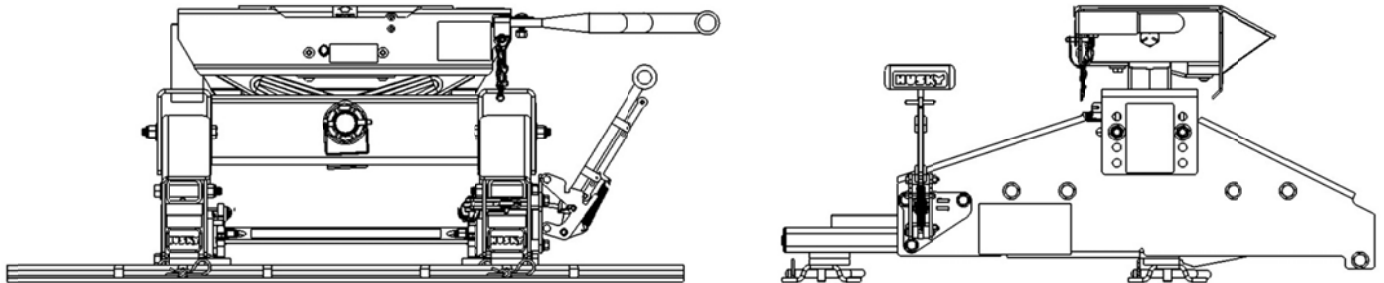
# INSTRUCCIONES DE FUNCIONAMIENTO

## Para maniobrar:

El "HUSKY 10-26K" cuenta con una función "anti-bind" ("anti-traba") que le permite cambiar la posición de la manivela de seguridad en caso de que los topes del pivote estén atorados.

1. Alinee el remolque y el vehículo a remolcar en una línea recta sobre una superficie a nivel.
2. Eleve la unión, y tire para afuera la manivela; luego, suelte la unión.

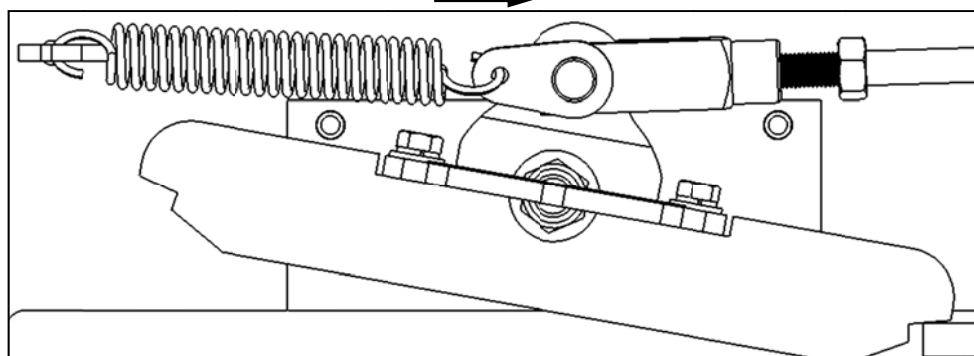
Vista de la plataforma desde el lateral de la plataforma



Las imágenes arriba muestran la manivela tractora y el sistema en la posición de maniobra.

3. Cuando coloque la manivela en la posición de maniobra, observe si los topes del pivote rotaron o no. Si lo hicieron, proceda con el paso 5.
4. Si los topes del pivote no rotaron, entonces deberá poner los frenos del remolque y luego volver a subir suavemente el vehículo a remolcar hasta que escuche que los topes del pivote se hayan accionado. Luego, continúe con el paso 5.
5. Ponga los frenos del remolque y tire el vehículo a remolcar suavemente hacia atrás hasta que el "HUSKY 10-26K" deje de moverse y usted escuche el encastre de los topes del pivote.

Frente del vehículo a remolcar

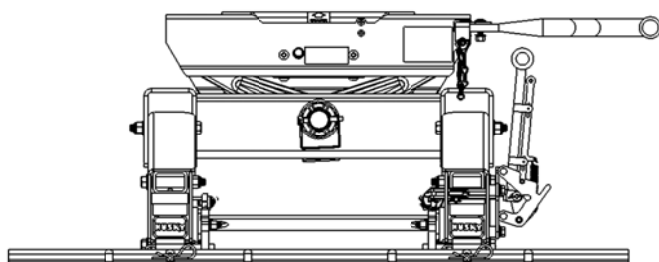


La imagen arriba muestra los topes del pivote en la posición "de seguridad" de maniobra desde el interior del ensamblaje del lado del conductor.

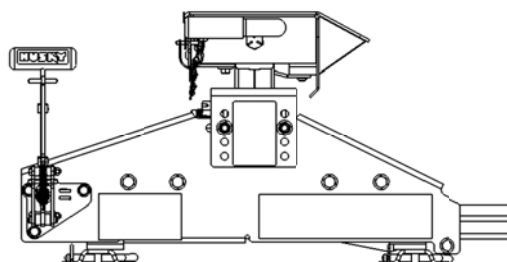
## Para remolcar:

1. Alinee el remolque y el vehículo a remolcar en una línea recta sobre una superficie a nivel.
2. Eleve la unión, y tire para afuera la manivela; luego, suelte la unión.

Vista de la plataforma desde el lateral de la cabina



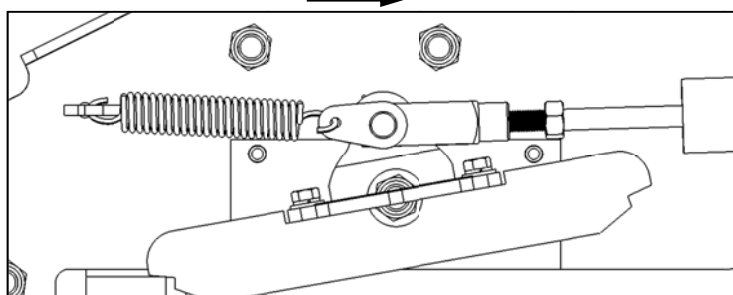
Frente del vehículo a remolcar



Las imágenes arriba muestran la manivela tractora y el sistema en la posición de manejo.

3. Cuando coloque la manivela en la posición de manejo, observe si los topes del pivote rotaron o no. Si lo hicieron, proceda con el paso 5.
4. Si los topes del pivote no rotaron, entonces, entonces deberá poner los frenos del remolque y luego tirar el vehículo a remolcar hacia adelante suavemente hasta que escuche que los topes del pivote se hayan accionado. Luego, continúe con el paso 5.
5. Ponga los frenos del remolque y mueva el vehículo a remolcar suavemente hacia atrás, hasta que el "HUSKY 10-26K" deje de moverse y usted escuche el encastre de los topes del pivote.

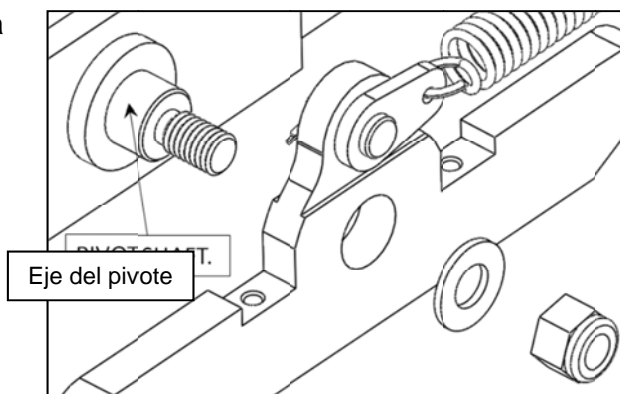
Frente del vehículo a remolcar



La imagen arriba muestra los topes del pivote en la posición "de seguridad" de manejo desde el interior del ensamblaje del lado del conductor.

## Mantenimiento y cuidado

1. Cada 5.000 millas, controle todas las conexiones para garantizar la torsión adecuada. (Véase la página 1, donde se indican los valores adecuados de torsión según el tamaño y el grado del sujetador). Además, aplique grasa fresca en los ejes del pivote para garantizar que los topes del pivote puedan moverse libremente.
2. Con aire comprimido, un trapo limpio o un cepillo de mano, limpie periódicamente la superficie deslizante del "HUSKY 10-26K", y controle también que no haya ninguna partícula extraña en las ranuras de la plataforma deslizante inferior, según sea necesario.
3. **No** utilice ningún tipo de lubricante en la plataforma deslizante inferior, ya que puede afectar el rendimiento del deslizamiento y puede acelerar el desgaste.
4. Antes de cada viaje, es recomendable controlar los mecanismos de accionamiento del "26K Husky 10" para asegurar su movimiento adecuado y hacer las correcciones/ajustes, según resulte necesario.





# Términos y condiciones de la garantía:

## **Garantía limitada por 10 años:**

La presente garantía corresponde únicamente a remolques de quinta rueda fabricados por DTS Manufacturing para Husky Towing Products.

DTS Manufacturing, Husky Towing Products y Coast Distribution no otorgan ningún tipo de garantía para productos que no sean fabricados por DTS Manufacturing. Tales productos están cubiertos sólo bajo cualquiera sea la garantía aplicable del fabricante correspondiente. Se recomienda seguir siempre las instrucciones de funcionamiento y de garantía proporcionadas por el fabricante.

DTS Manufacturing garantiza al comprador original que sus productos se encuentran libres de defectos materiales y de fabricación por el período de vigencia de la garantía arriba mencionado, a partir de la fecha de compra del consumidor final del producto. Si se detecta que alguno de los productos tiene defectos materiales o de fábrica, el producto será reemplazado o reparado a discreción de DTS Manufacturing, Husky Towing Products y Coast Distribution, con el comprobante de compra del comprador original. El comprador original abonará todos los costos de transporte y envío asociados a la devolución del producto defectuoso, y dicho producto se convertirá en propiedad de DTS Manufacturing.

Esta garantía se aplica a los productos fabricados por DTS, utilizados para propósitos individuales y recreativos. El uso comercial de los productos fabricados por DTS limita la garantía a 90 días a partir la fecha de compra.

Esta garantía se aplica sólo a los productos fabricados por DTS con defectos materiales o de fábrica. Esta garantía no se aplicará en caso de desgaste por uso normal de los productos finales fabricados por DTS.

DTS Manufacturing, Husky Towing Products y Coast Distribution no serán responsables por ningún costo de mano de obra incurrido debido al apartado o reemplazo del producto defectuoso.

DTS Manufacturing, Husky Towing Products y Coast Distribution no serán responsables de la reparación o el reemplazo de cualquier producto bajo la garantía limitada cuando tal producto haya sido incorrectamente instalado, mal utilizado, alterado, maltratado, utilizado con negligencia, sobrecargado o dañado como resultado de un accidente; incluido cualquier uso del producto que no respete las instrucciones de seguridad y funcionamiento del mismo.

Sin perjuicio de lo arriba dispuesto, DTS Manufacturing, Husky Towing Products y Coast Distribution, bajo ninguna circunstancia, serán responsable por ninguna pérdida, daño incidental o emergente que surja o que se relacione de cualquier manera con el incumplimiento de la garantía, defectos reclamados o falta de funcionamiento de los productos. Algunos Estados no permiten la exclusión o la limitación de daños incidentales o emergentes, por lo que la exclusión o limitación anterior pueden no aplicarse a su caso.

La presente garantía limitada le otorga derechos legales específicos, aunque usted podría gozar de otros derechos que varían según el Estado.



# Instructions d'installation

## « HUSKY 10-26K » N° pièce 32042

<b>Commerçant / installateur :</b>	Veuillez fournir une copie de ces instructions à l'utilisateur final de ce produit. Ces instructions fournissent des renseignements importants sur le fonctionnement et la sécurité pour assurer une utilisation appropriée du produit. Faites une démonstration à l'utilisateur sur la façon d'utiliser correctement le produit. Demandez à l'utilisateur de démontrer comment utiliser correctement le produit.
<b>Utilisateur final :</b>	Veuillez lire et respecter toutes les instructions comprises dans ce manuel. Demandez l'aide de votre commerçant ou installateur si vous ne comprenez pas l'utilisation appropriée du produit. Veuillez ne jamais retirer les étiquettes du produit.

**APPLICATION :** Pour une utilisation sur les camionnettes à boîte courte d'au moins 6-1/2 pieds de longueur.

**REMARQUE :** Le « HUSKY 10-26K » doit être utilisé seulement sur des caravanes à sellette ayant un poids de 26 000 lb ou moins. Ne jamais utiliser avec des remorques plus lourdes. Il faudra démonter les montants de votre caravane à sellette actuelle pour installer le « HUSKY 10-26K ». Le « HUSKY 10-26K » remplace ces montants.

**Mise en garde :** Le « HUSKY 10-26K » repositionnera votre caravane à sellette de 10 po vers l'arrière. **CEPENDANT**, cela **NE** garantira **PAS** le dégagement complet cabine-remorque lors des remorquages ou des virages serrés. Consultez la rubrique « Dégagement – cabine de camionnette et caravane à sellette » à la page 2.

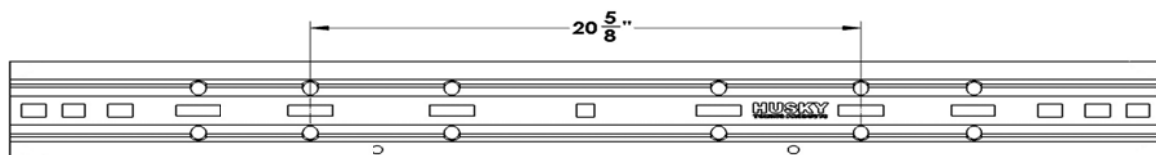
Spécification des couples de serrage de Husky				
Spécifications de couple de boulon É-U				
Couple en lb-pi				
		Catégorie		
Dia. boulon	Pas du filetage	2	5	8
1/4	20	4	8	12
1/4	28	6	10	14
5/16	18	9	17	25
5/16	24	12	19	29
3/8	16	16	30	45
3/8	24	22	35	50
7/16	14	24	50	70
7/16	20	34	55	80
1/2	13	38	75	110
1/2	20	52	90	120
9/16	12	52	110	150
9/16	18	71	120	170
5/8	11	98	150	220
5/8	18	115	180	240
3/4	10	157	260	380
3/4	16	180	300	420

Toutes les attaches « Husky 10 » sont de catégorie 5.

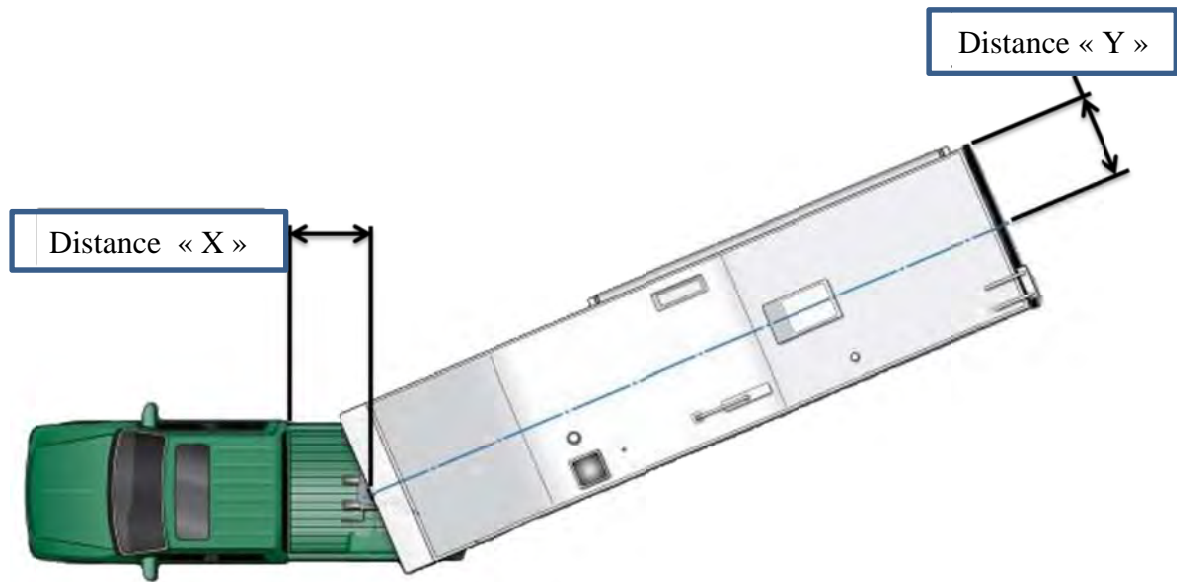
**MISE EN GARDE**

Le Husky 10-26K **NE** doit **PAS** être utilisé avec les boîtes à tige pivotante ou les boîtes à tige qui requièrent un « coin », comme REESE Sidewinder, REESE Revolution, 5th Airborne Sidewinder. L'utilisation de ces produits peut endommager ce produit et annuler la garantie.

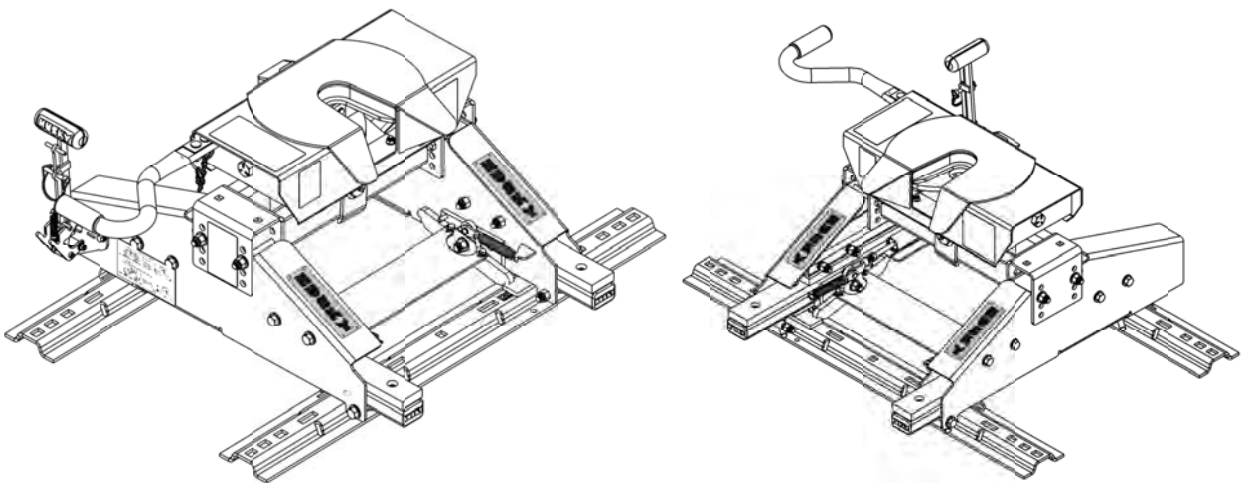
Le « HUSKY 10-26K » fonctionnera seulement avec les encoches de rails espacées de 20-5/8 po. Utilisez seulement les attelages de caravanes à sellette Husky avec ce produit.



## Dégagement – cabine de camionnette et caravane à sellette



**REMARQUE!** Les caravanes à sellette ne sont pas toutes pareilles. Le conducteur est responsable de déterminer quel type de dégagement de remorque à cabine surviendra lors de l'attelage. Il est possible de déterminer cela en mesurant la distance à partir du centre de l'attelage de la caravane à sellette jusqu'à l'arrière de la cabine de la camionnette (DISTANCE « X ») et en y ajoutant 4 pouces. Il faut ensuite mesurer la largeur de la caravane et la diviser de moitié (DISTANCE « Y »). La DISTANCE « X » doit être égale ou supérieure à la DISTANCE « Y ». Cela ne signifie pas que la caravane à sellette n'entrera pas en contact avec la cabine de la camionnette. Travaillez toujours avec une autre personne pour qu'elle puisse vous aider et vous avertir de cesser de tourner.



Le Husky 10-26K est un produit breveté de Husky Towing Products. Voir le n° de brevet 8.727.369

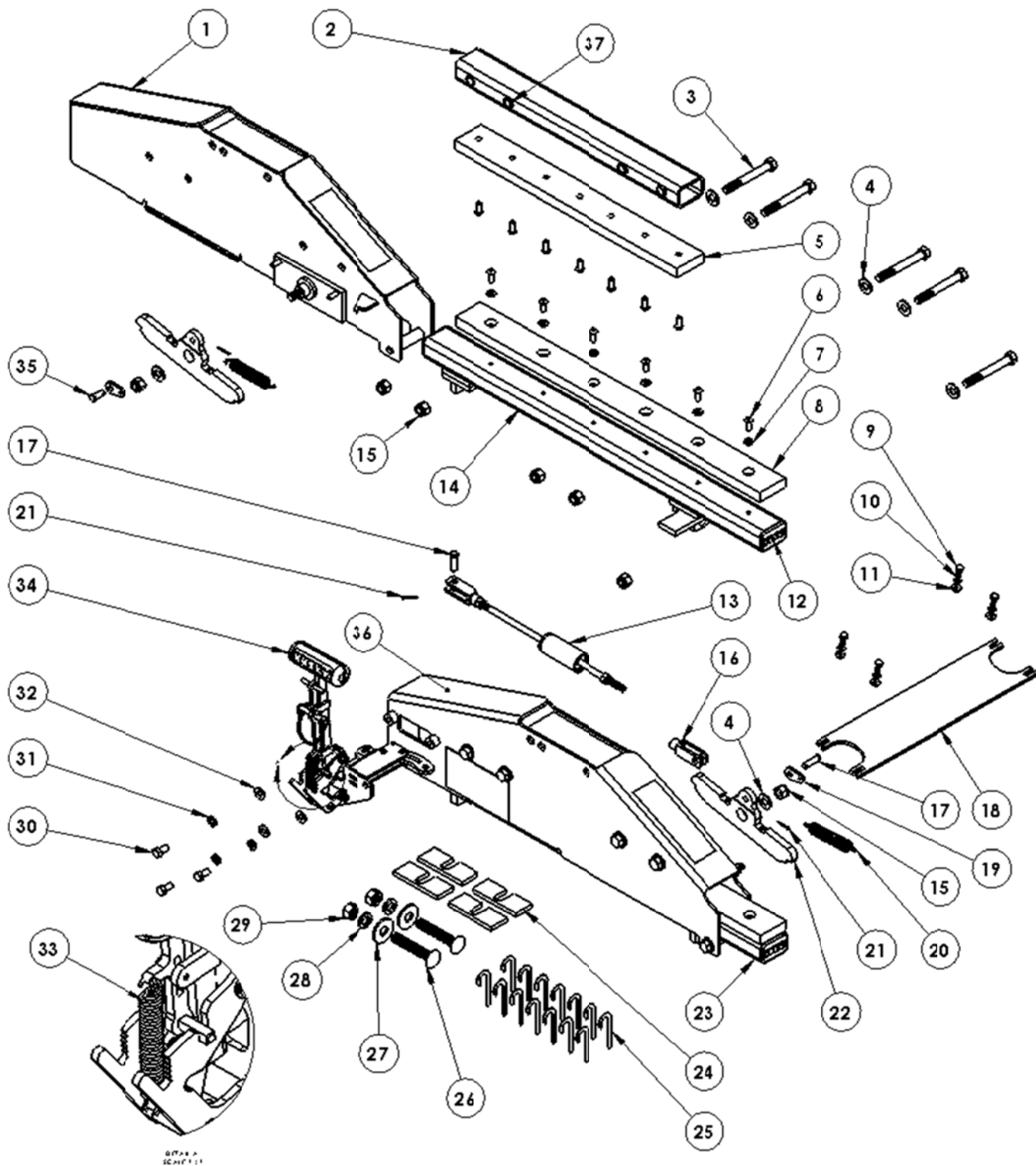
# Liste des pièces

No article	Description	Qté	Qté	Qté	Qté	Qté	Qté	Qté	Qté	Qté	Qté	Qté	Qté	Qté	Qté
			ENS. POUR GLISSEUR 26K HUSKY 10	32042											
			ENS. CALE (MINCE)	32043											
			ENS., ENTRETEN, POIGNÉE 26K HUSKY 10	32044											
			ENS., PIÈCES 3/8 PO POUR POIGNÉE 26K HUSKY 10	32045											
			ENS., ENTRETEN, TAMPON-GLISSEUR 26K HUSKY 10	32046											
			ENS., ENTRETEN, CYLINDRE COMPRESSEUR 26K HUSKY 10	32047											
			ENS., ENTRETEN, RESSORT DE RAPPEL POIGNÉE HUSKY 10	32048											
			ENS., ENTRETEN, ASSEMBLAGE PIVOT CP 26K HUSKY 10	32049											
			ENS., ENTRETEN, CHAPE-GOUPILLE FENDUE HUSKY 10	32050											
			ENS., ENTRETEN, PLAQUE PIVOT 26K HUSKY 10	32051											
			ENS., ENTRETEN, PIÈCES BOÎTIER (1/2 PO) 26K HUSKY 10	32053											
			ENS., ENTRETEN, BOUCHONS EXTRÉMITÉ DE TUBE HUSKY 10	32054											
			ENS., RESSORT DE RAPPEL HUSKY 10	32056											
			TROUSSE DE PIÈCES D'ENTRETEN DE PLAQUE PIVOT	32058											
			ENS., ENTRETEN, BOULON CENTRAGE	32059											
1	ENS. BOÎTIER SOUDÉ CP	1													
2	TUBE DE SUPPORT SUPÉRIEUR	2													
3	BOULON, HEX 1/2-13 X 4 PO LONG, Cat. 5, YZ	10										5			
4	RONDELLE PLATE 1/2 PO	12					1		1			5			
5	PLAQUE GLISSIÈRE SUPÉRIEURE	2				1									
6	VIS CAPUCHON POUR ENCOCHE, 5/16-18 UNC X 3/4 PO, Cat. 5, BO	26				13									
7	RONDELLE PLATE 5/16 PO	12				6									
8	PLAQUE GLISSIÈRE INFÉRIEURE	2				1									
9	BOULON, TÊTE HEX 1/4-20 X 0,75 PO, Cat. 5, YZ	4									4			4	
10	RONDELLE D'ARRÊT 1/4 PO	4									4			4	
11	RONDELLE PLATE 1/4 PO	4									4			4	
12	BOUCHON DE TUBE EN CAOUTCHOUC	4										2			
13	ASSEMBLAGE CYLINDRE DE COMPRESSION	1					1								
14	ENS. RAIL SOUDÉ CP	1													
15	ÉCROU DE BLOCAGE 1/2-13, Cat. 5, YZ	12					1		1			5			
16	EXTRÉMITÉ DE TIGE À CHAPE	1					1								
17	AXE DE CHAPE, 3/8 X 1,25, ACIER YZ	2					2			2					
18	PLAQUE PIVOT	1									1				
19	RESSORT D'EXTENSION PLAQUE PIVOT	2					1		1						
20	RESSORT EXT. 3/4 PO DE X 3,50 PO LONG YZ	2					1		1					2	
21	GOUPILLE FENDUE, 7/64 X 1, ACIER, YZ	3					2		1	3					
22	PLAQUE PIVOT D'ARRÊT	2					1		1						
23	ENS. RAIL SOUDÉ CC	1													
24	PLAQUE D'ESPACEMENT	4													4
25	CROCHET DE CALE (MINCE)	14	14												
26	5/8-11 UNC X 3,50 BOULON À TÊTE, CAT. 5, BO	2													2
27	RONDELLE PLATE 5/8 PO	2													2
28	RONDELLE DE BLOCAGE 5/8 PO	2													2
29	ÉCROU HEX 5/8-11 UNC	2													2
30	BOULON TÊTE HEX, 3/8-16 X 0,75, CAT. 5, YZ	3		3	3										
31	RONDELLE DE BLOCAGE 3/8 PO	3		3	3										
32	RONDELLE PLATE 3/8 PO	3		3	3										
33	RESSORT EXT., 1/2 PO DE X 2,75 PO LONG YZ	1						1							
34	ASSEMBLAGE DE POIGNÉE 26K HUSKY 10	1		1											
35	AXE DE CHAPE, 3/8 X 0,875, ACIER, YZ	1							1	1					
36	ENS. BOÎTIER SOUDÉ CC	1													
37	ENTRETOISE ID 1/2 PO	10										5			

## OUTILS REQUIS :

PERCEUSE*	CLÉ DE 9/16 PO ET DOUILLE
MÈCHE DE 5/8 PO *	CLÉ DE 16 mm
PINCE À BEC EFFILÉ	CLÉ DE 3/4 PO ET DOUILLE
CLÉ DE 7/16 PO ET DOUILLE	CLÉ DYNAMOMÉTRIQUE (150 LB - PI MIN.)

\* Outils nécessaires seulement si une trousse de boulon de centrage n'est pas installée aux rails.



Tous les produits sont limités à la capacité de remorquage du véhicule; voir le manuel d'utilisation du véhicule  
 Voir [www.huskytow.com](http://www.huskytow.com) pour la garantie/le soutien technique. 16 juin 2014 – RÉV. 8

Avant d'assembler le « HUSKY 10-26K », assurez-vous que les rails sont installés de manière appropriée en angle droit l'un avec l'autre. Mesurez de façon diagonale d'un côté à l'autre. Consultez la Figure 1. Les mesures « X » et « Y » devraient se situer à moins de 3/16 po l'une de l'autre. Ces mesures sont exigées pour l'ajustement et le fonctionnement appropriés du « HUSKY 10-26K ».

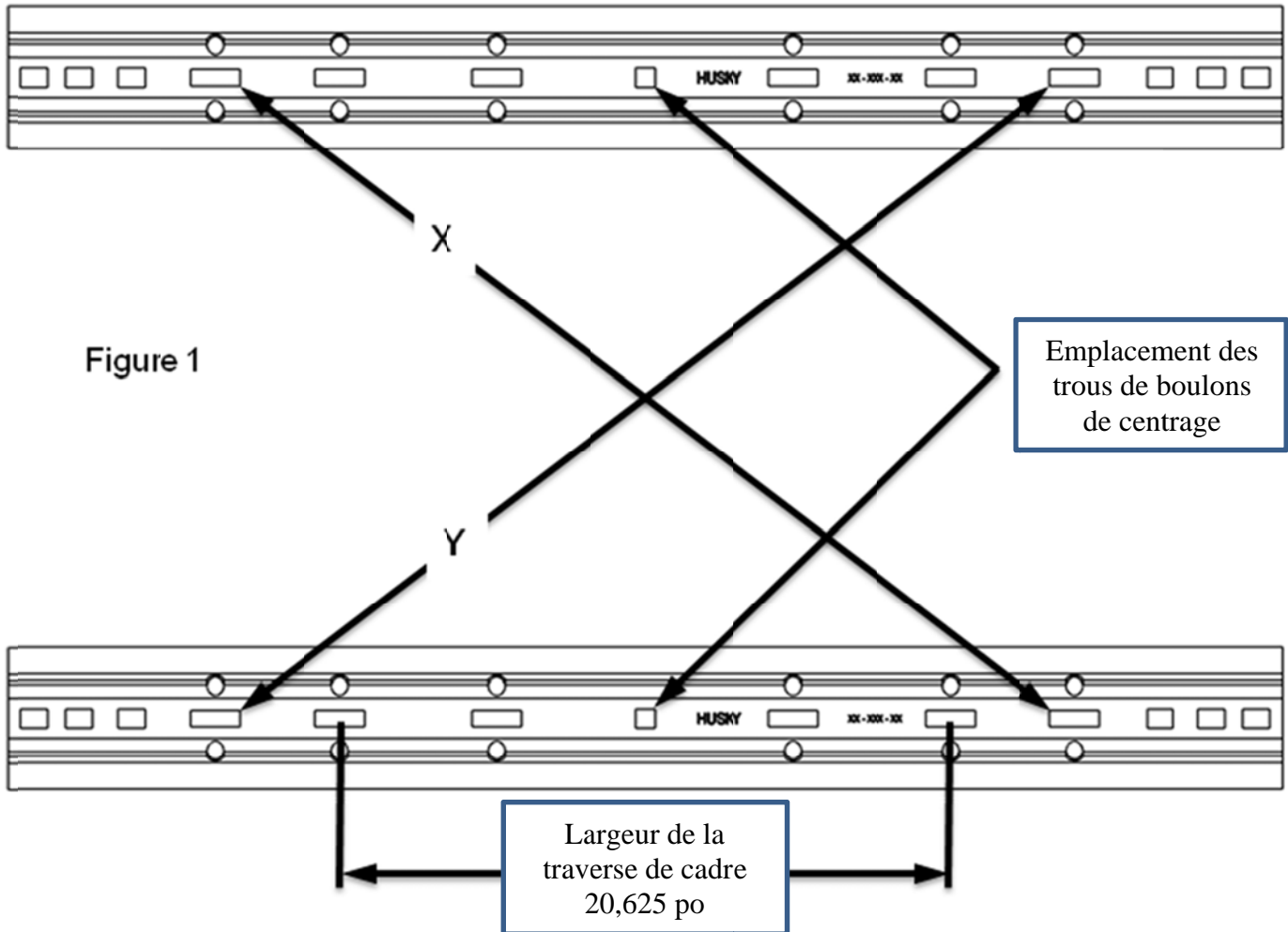
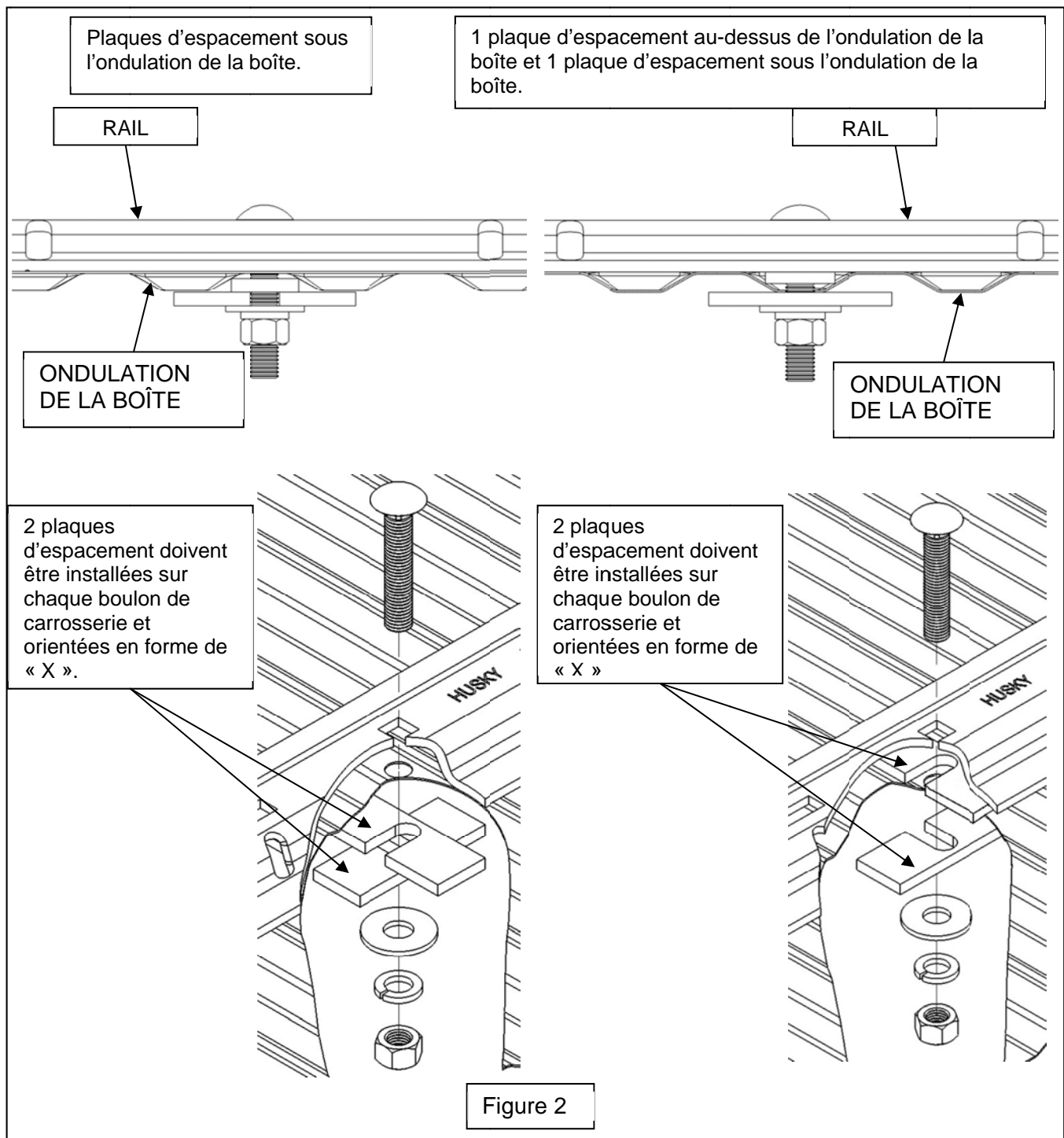


Figure 1

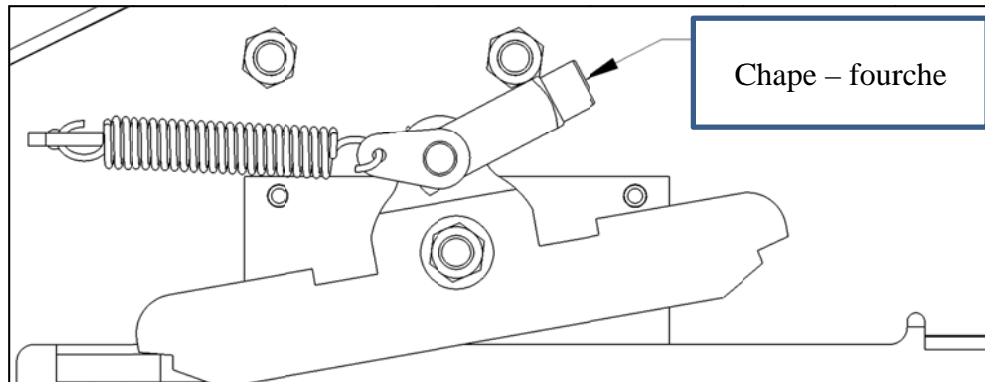
2. Installez la trousse de boulon de centrage Husky en utilisant les pièces fournies.
3. Repérez le trou central de chaque rail (consultez la Figure 1). En utilisant ces trous comme guide, percez un trou de 5/8 po au travers de la boîte de la camionnette. **Assurez-vous que le réservoir d'essence, les conduites de frein et d'essence et les fils électriques situés sous la boîte ne se trouvent pas dans le trajet de perçage des trous.**
4. Insérez les boulons de carrosserie de 5/8 po fournis dans les emplacements de boulons de centrage au travers de la boîte de la camionnette.
5. Vérifiez les ondulations sur le plancher de la boîte de camionnette et installez la plaque d'espacement dans la bonne position, tel qu'illustré à la Figure 2.



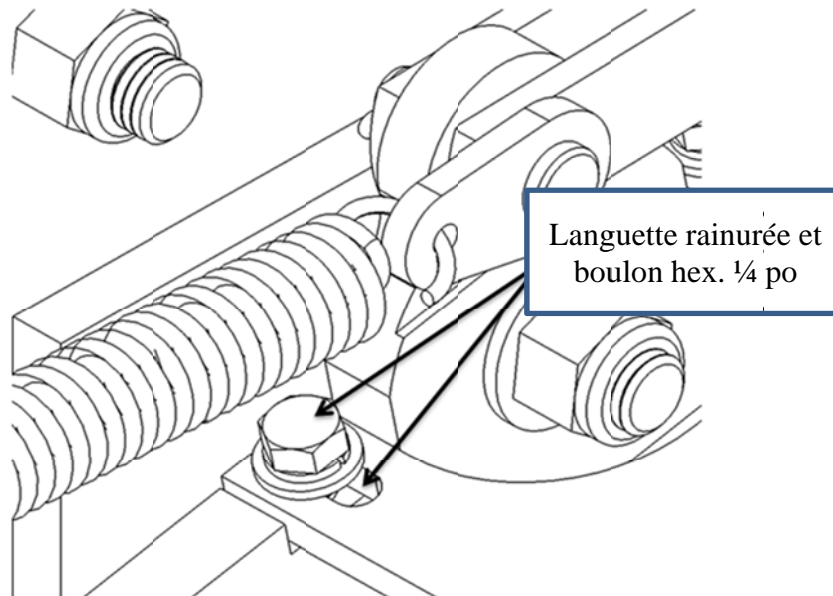
6. Serrez les écrous hex. de 5/8 po à 150 lb-pi.
7. Une fois que les rails de la boîte sont en angles droits et que la trousse de boulon de centrage est correctement installée, vous pouvez commencer l'installation du « HUSKY 10-26K ».

## INSTALLATION DU « HUSKY 10-26K »

1. Installez l'assemblage côté conducteur et l'assemblage côté passager dans les encoches des rails.
2. Insérez les goupilles de rails du côté arrière des rails et les fixer en place avec les attaches.
3. Soulevez la chape-fourche située sur le côté conducteur aussi haut que possible.



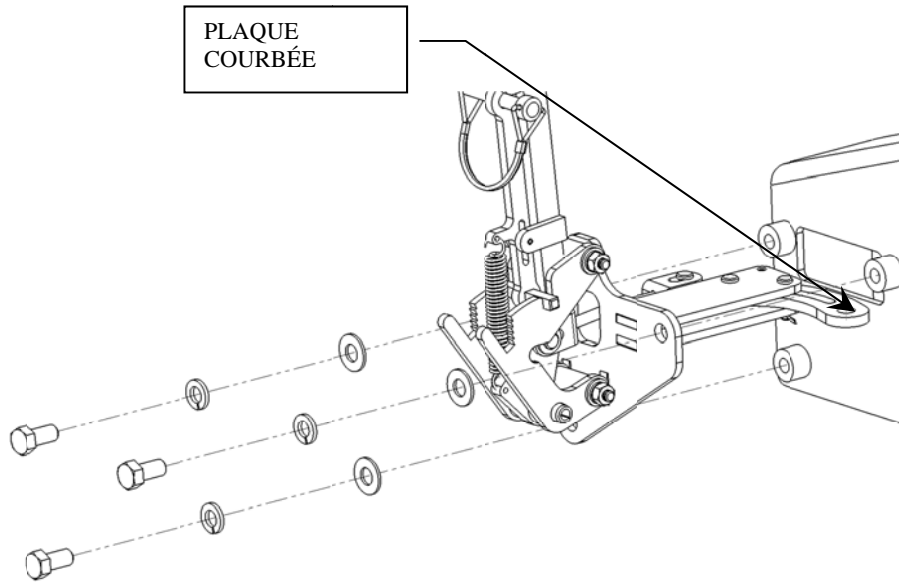
4. Installez la plaque pivot Husky sur les renforcements des butées de pivot en penchant l'assemblage côté passager vers l'extérieur afin de mettre la plaque en place. Les languettes rainurées de la plaque devraient reposer dans les renforcements des butées de pivot.



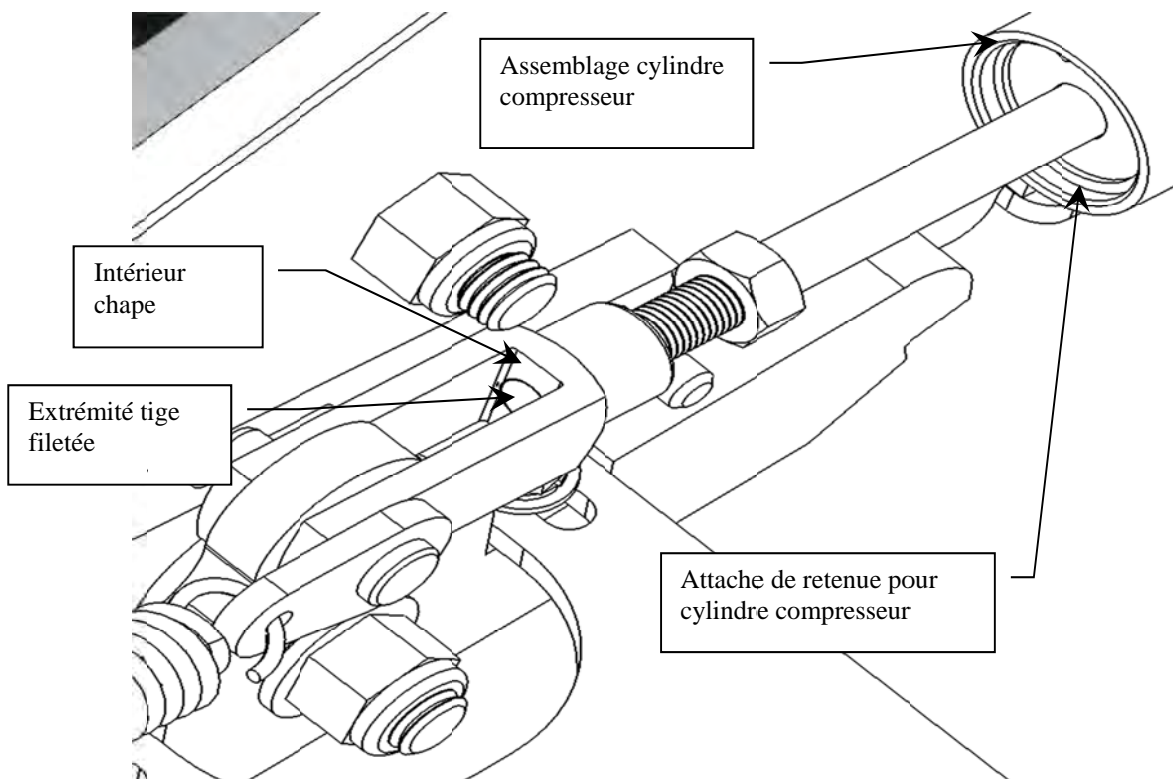
À l'aide des boulons de ¼ po, des rondelles plates et des rondelles de blocage, insérez dans les trous des butées de pivot à l'aide des doigts seulement.



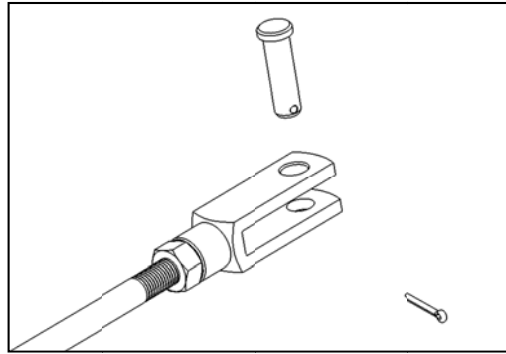
5. Insérez l'assemblage de poignée dans le trou à l'extérieur du boîtier côté conducteur et fixez en place avec les boulons de 3/8 po, les rondelles plates et les rondelles de blocage en serrant à 30 lb-pi. Vous devrez faire pivoter l'assemblage de poignée pour insérer la plaque courbée dans l'encoche rectangulaire du boîtier.



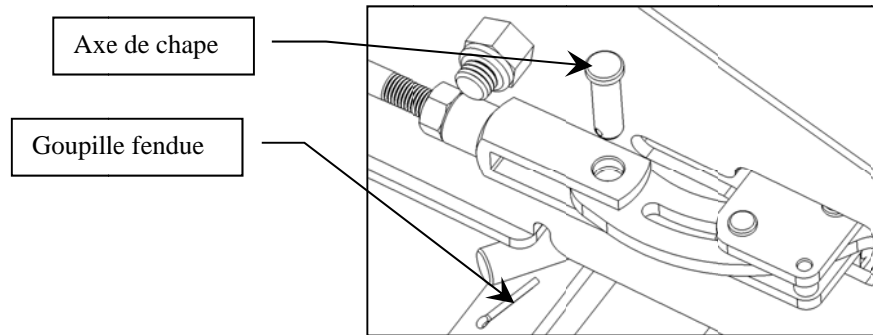
6. Vissez l'assemblage de cylindre de compression dans l'extrémité filetée de la chape-fourche sur l'assemblage côté conducteur jusqu'à ce que l'extrémité de la tige filetée soit au même niveau que l'intérieur de la chape-fourche, serrez le contre-écrou. **Remarque :** L'attache de retenue pour le cylindre compresseur doit faire face à la butée de pivot, tel qu'illustré.



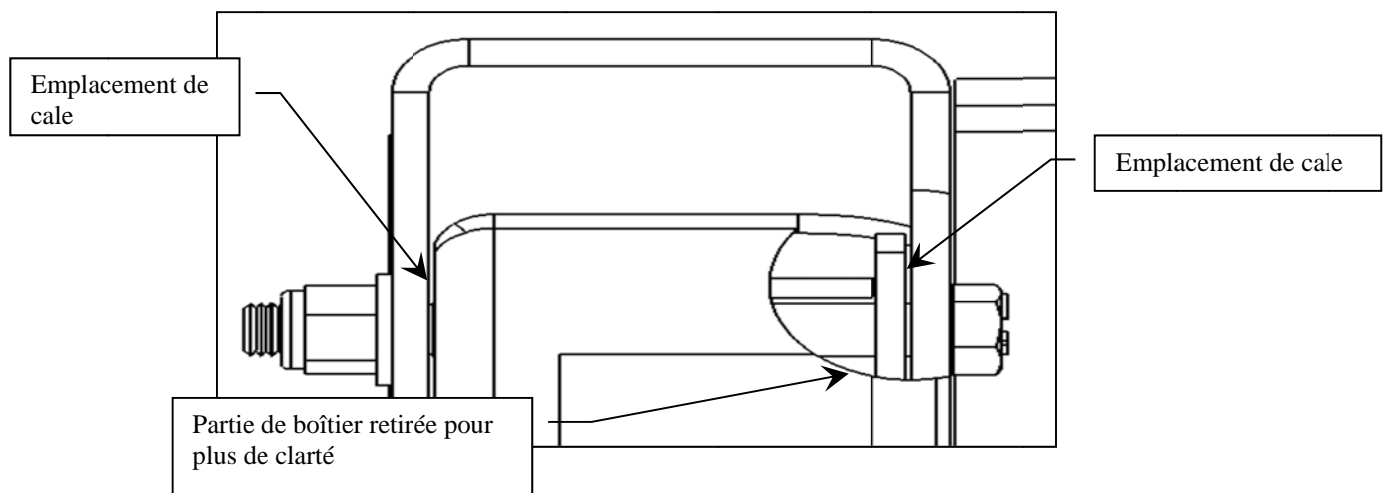
7. Retirez l'axe de chape de ¼ po de l'autre chape ou fourche sur l'assemblage de cylindre de compression.



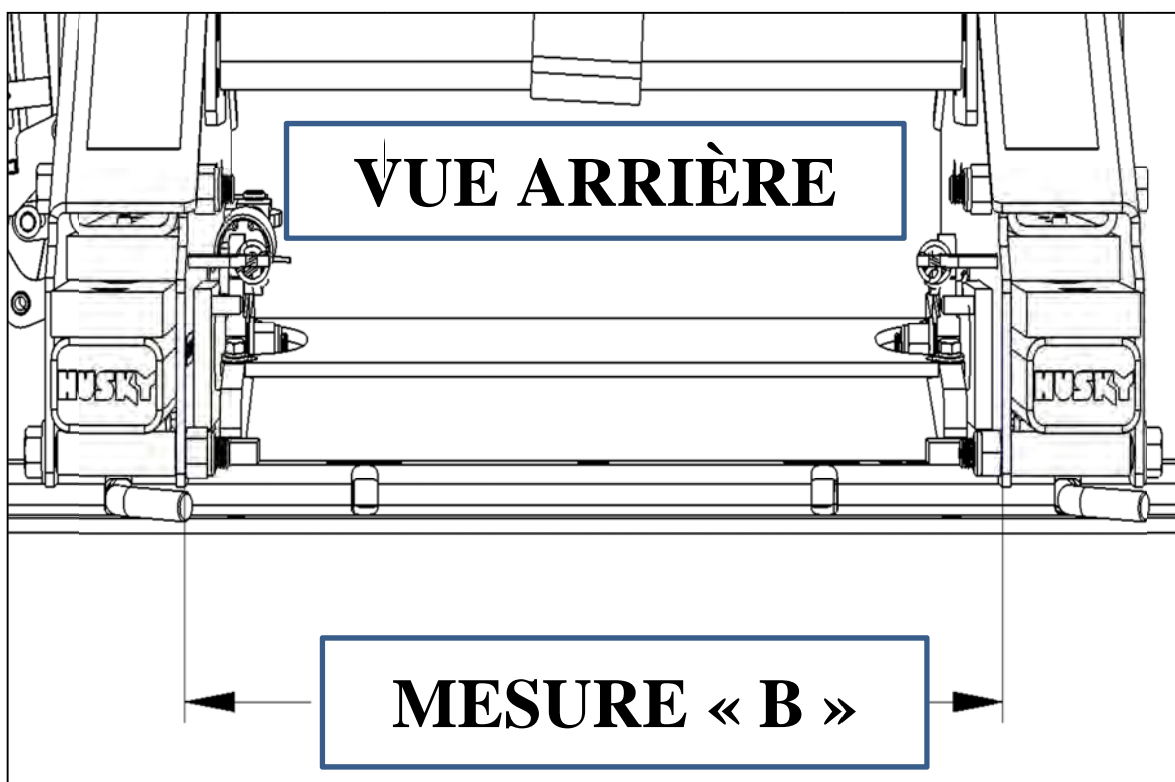
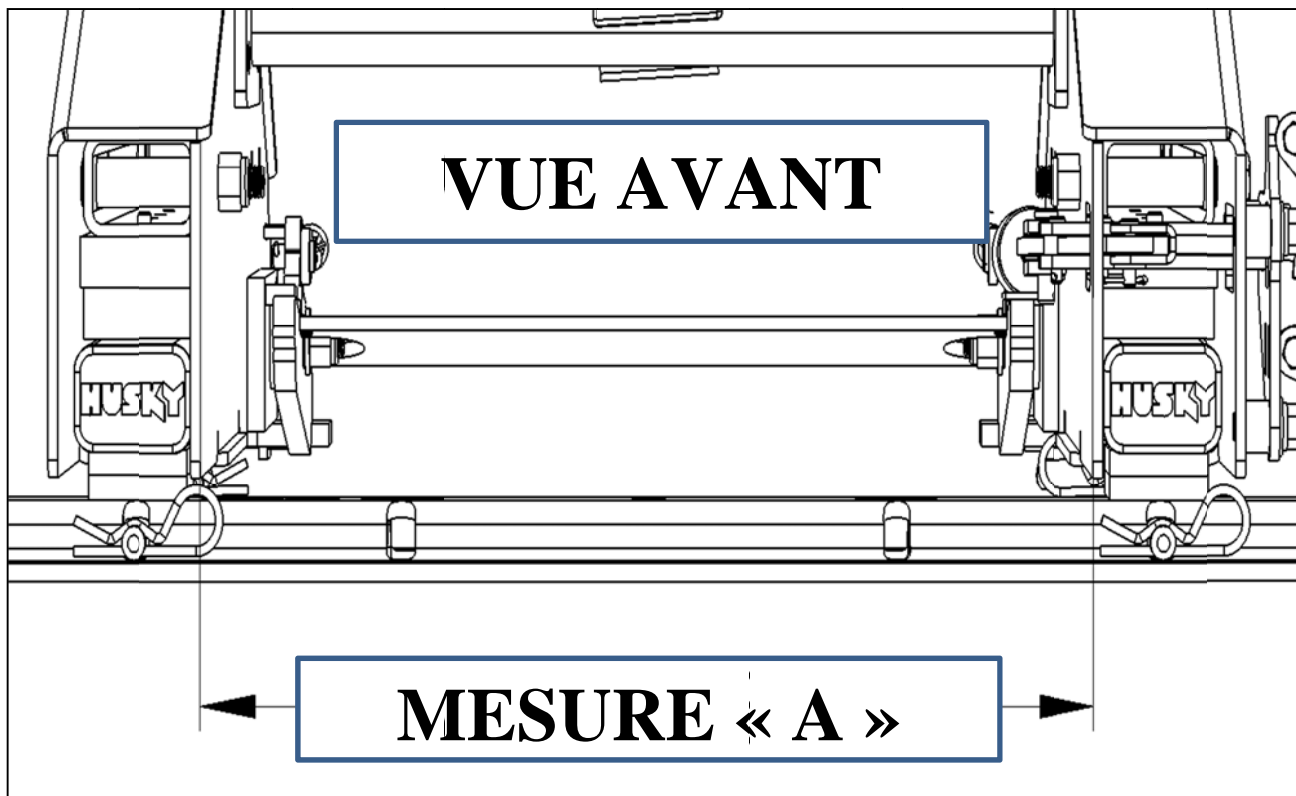
8. Alignez les trous de la chape aux trous de la plaque courbée. Insérez l'axe de chape dans les trous et les fixer en place avec la goupille fendue (ne pas replier les pattes de la goupille à cette étape).



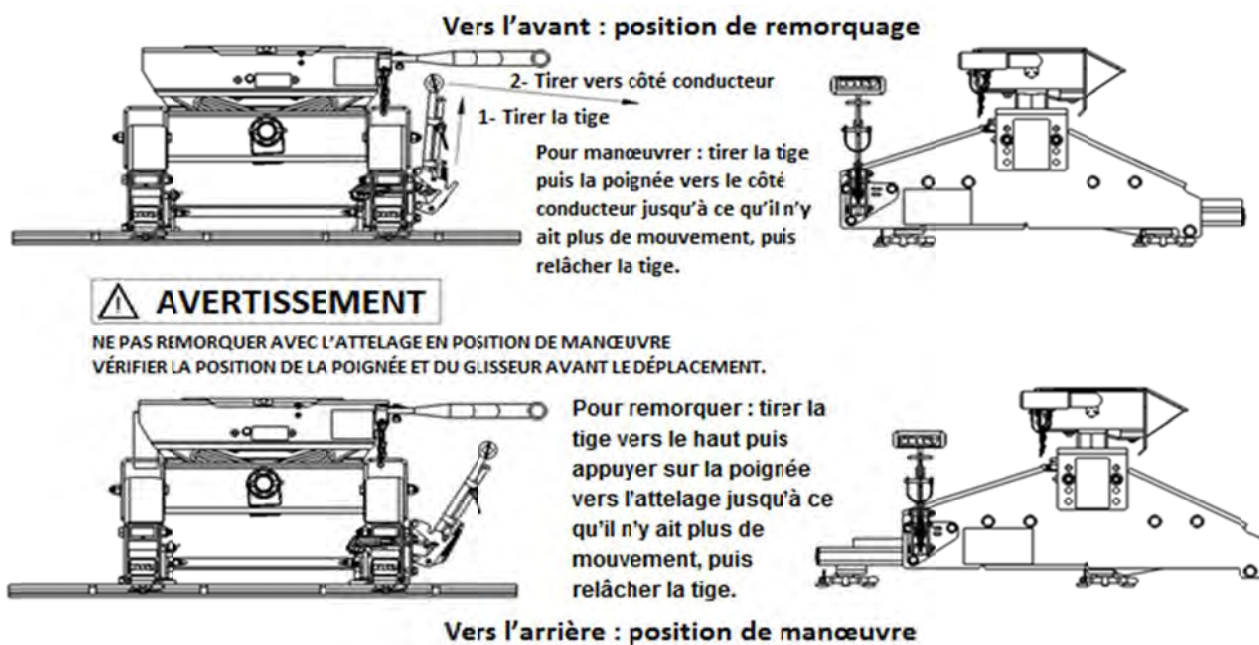
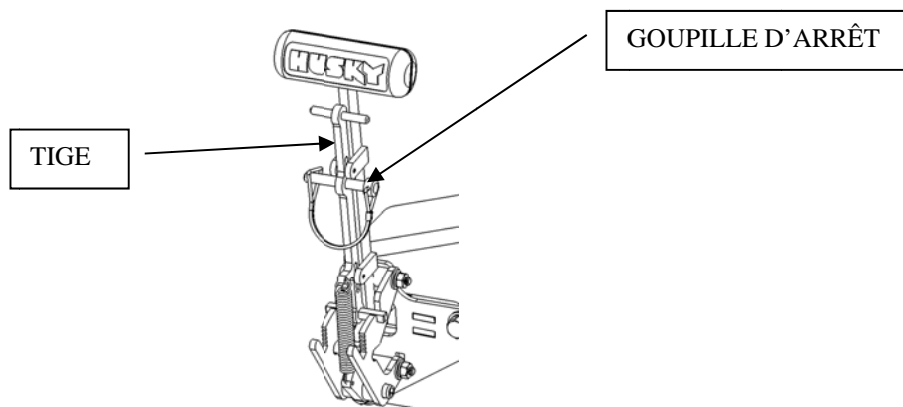
9. Poussez l'attelage en entier vers l'avant, jusqu'à ce qu'il n'y ait plus de mouvement.
10. Installez la traverse de cadre et assurez-vous qu'elle est centrée et droite en l'ajustant (au besoin) puis coupez les boulons à 75 lb-pi. Remarque : Des cales multiples peuvent être empilées ensemble si l'écart est trop grand.



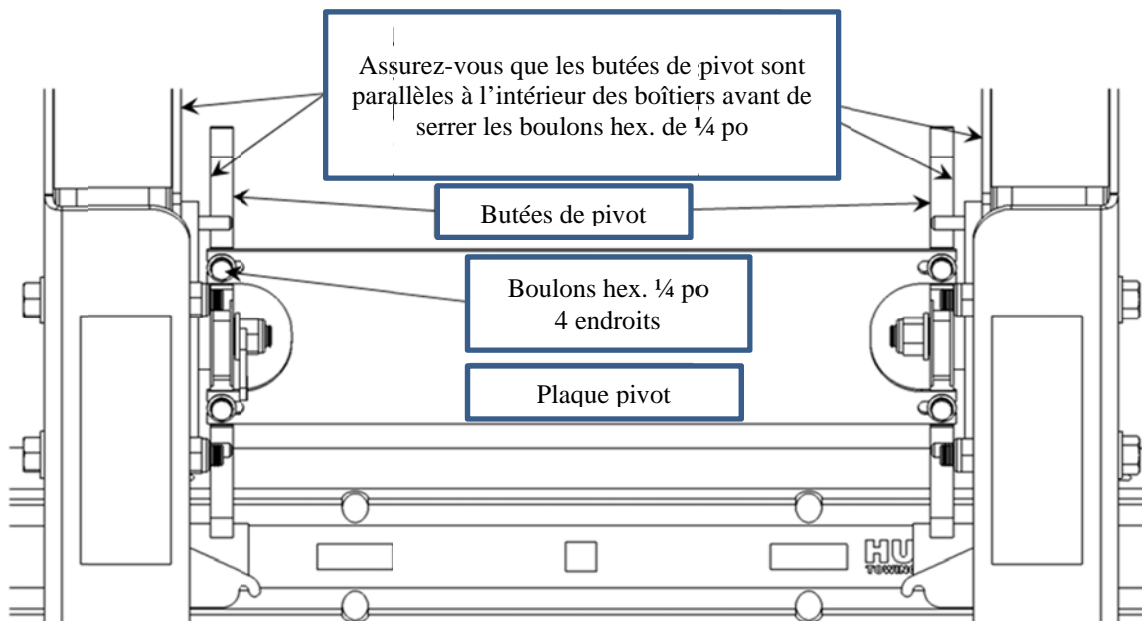
11. Une fois l'ajustement de la traverse de cadre terminé, mesurez le « HUSKY 10-26K » aux endroits indiqués ci-dessous. Comparez les mesures « A » et « B »; si les mesures se trouvent à moins de ¼ po l'une de l'autre, passez à l'étape suivante. Le cas contraire, déterminez laquelle des cales installées dans la traverse de cadre peut être déplacée pour compenser la différence.



12. Retirez la goupille d'arrêt et soulevez la tige puis tirez la poignée vers l'extérieur, relâchez la tige puis glissez l'attelage en position de manœuvre pour s'assurer qu'il glisse sans grippage.

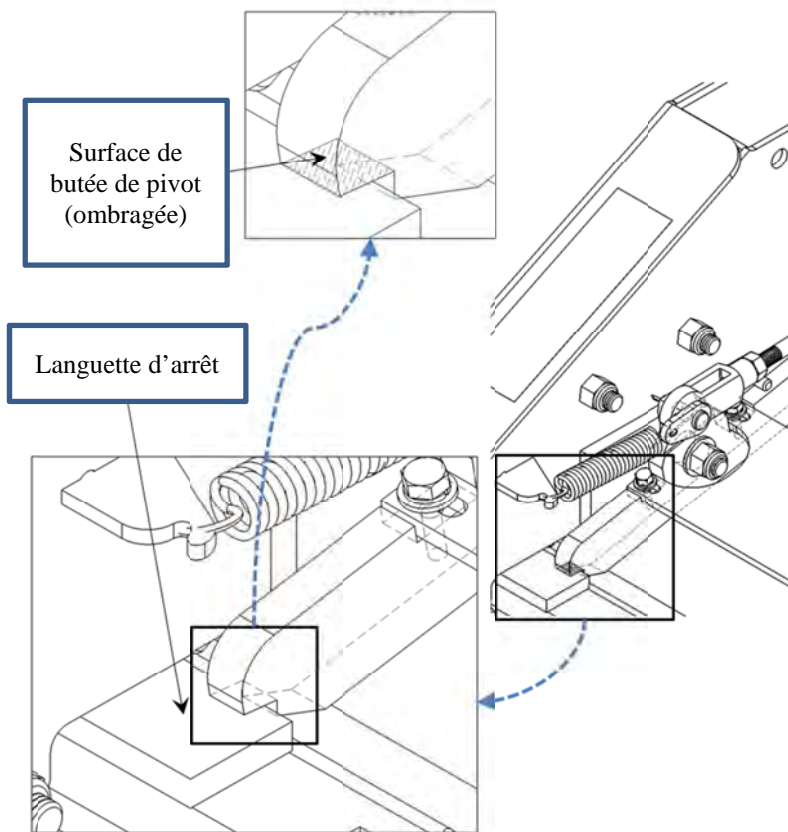


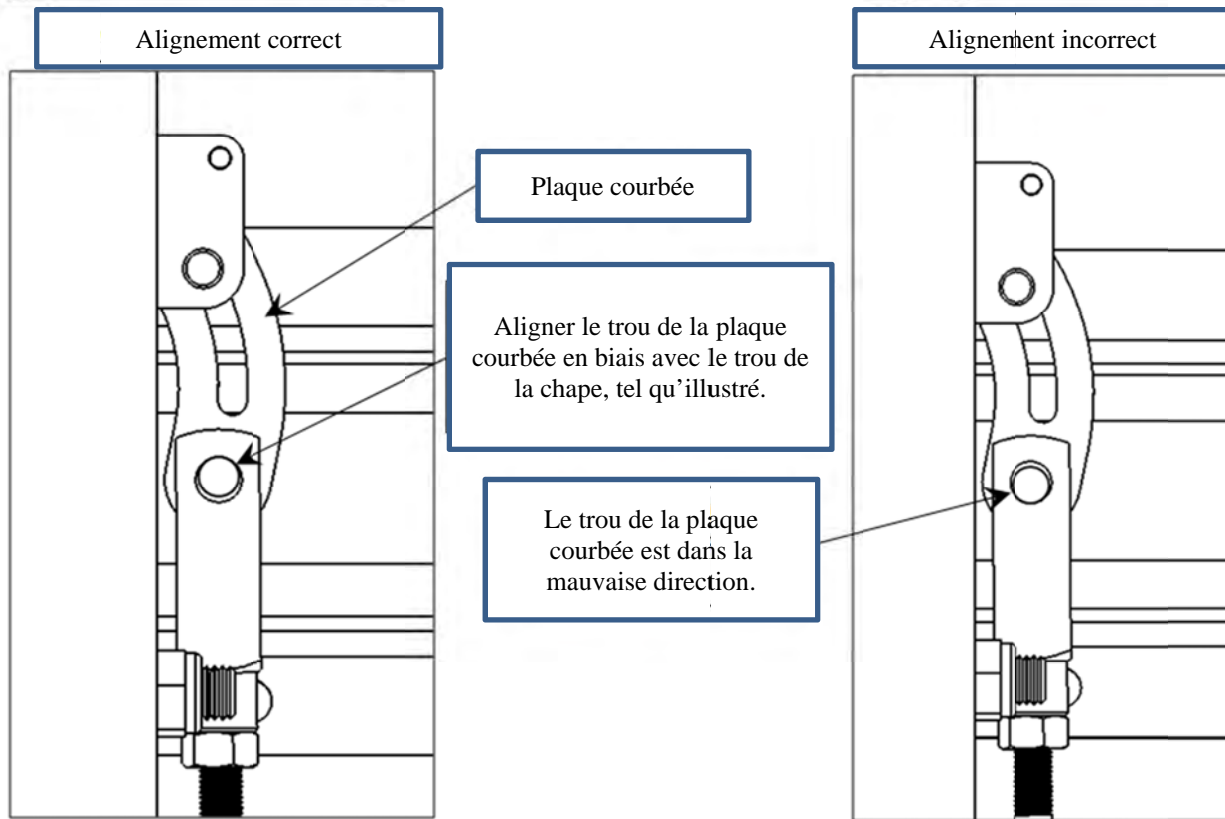
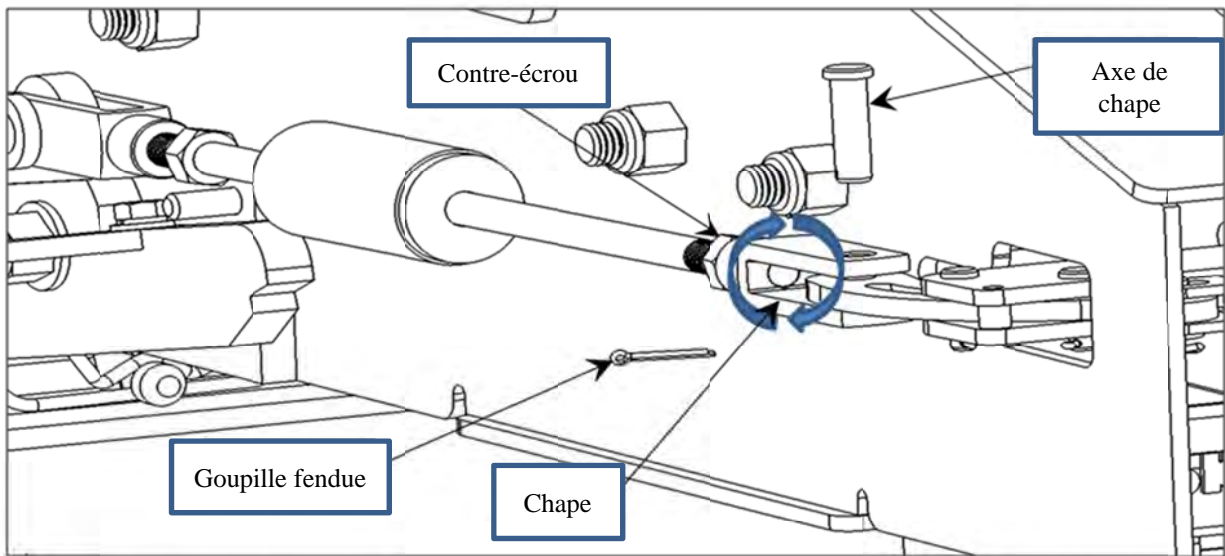
13. Si l'attelage se déplace sans grippage, passez à l'étape suivante. Sinon, retournez à l'étape 10.
14. Remettez la poignée en position de conduite et glissez l'attelage vers l'avant jusqu'à ce qu'il cesse de bouger et que les butées soient engagées.
15. Centrez la plaque pivot de gauche à droite et assurez-vous que les butées de pivot sont droites par rapport au côté du boîtier, puis serrez les boulons de ¼ po à 8 lb-pi.



Vue partielle du haut de l'attelage  
Certains composants ont été retirés pour clarifier les instructions

16. Vérifiez la rotation de la plaque pivot et des butées de pivot pour vous assurer d'un libre mouvement sans grippage.
17. En vous assurant que l'attelage est en position de conduite, ajustez la surface de la butée de pivot afin qu'elle touche légèrement la languette d'arrêt en desserrant le contre-écrou sur la chape, retirez de la chape la goupille fendue et l'axe de chape qui se trouve le plus vers l'avant. Balancez la chape qui est fixée à la gaine filetée vers l'intérieur, éloignée de la plaque courbée. Tournez la chape dans le sens des aiguilles d'une montre ou dans le sens contraire des aiguilles d'une montre pour aligner les trous correctement entre la plaque courbée et la chape, tel qu'illustré à la page 14.





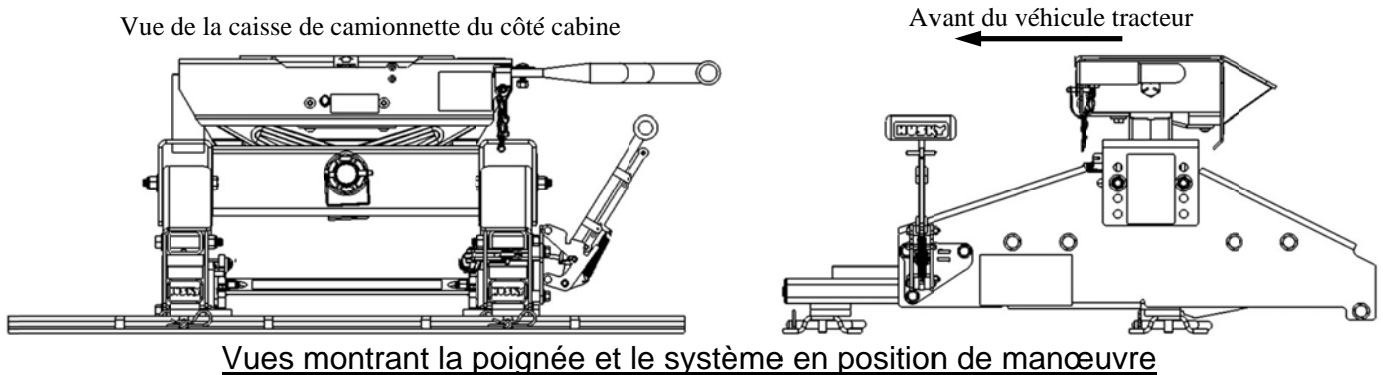
18. Réinstallez l'axe de chape et la goupille fendue.
19. Mettez la poignée en position de manœuvre et glissez l'attelage en position de manœuvre en vous assurant que le rebord d'arrêt sur les butées de pivot touche la languette d'arrêt.
20. Si tout peut se déplacer sans grippage et que la surface de la butée de pivot entre en plein contact avec la languette d'arrêt dans les deux positions, vous êtes prêt à compléter l'assemblage en fixant la tête de la caravane à sellette et les composants connexes. Assurez-vous que les pattes de la goupille fendue sont repliées pour les empêcher de tomber.

# INSTRUCTIONS D'UTILISATION

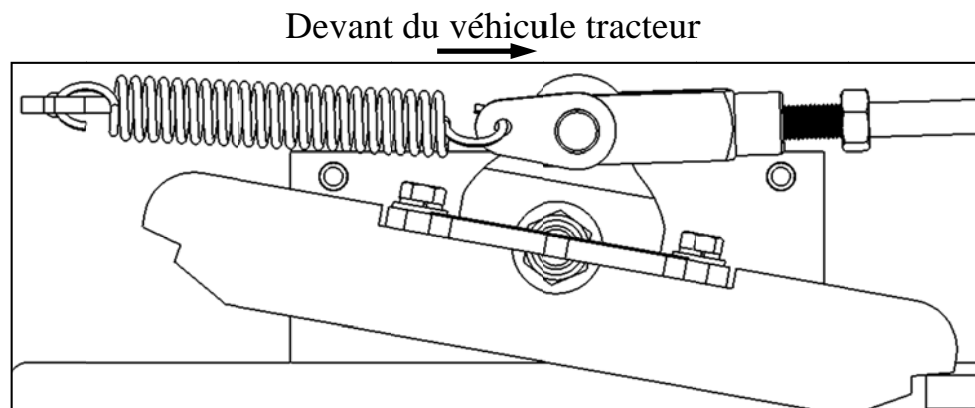
## Pour manœuvrer :

Le « HUSKY 10-26K » possède une caractéristique « anti-grippage » qui vous permettra de changer la position de la poignée-serrure si les butées de pivot sont grippées.

1. Alignez la remorque et le véhicule tracteur en ligne droite sur une surface à niveau.
2. Soulevez la tige et tirez la poignée vers l'extérieur, puis relâchez la tige.



3. Lorsque la poignée est en position de manœuvre, notez si les butées de pivot tournent ou non. Si oui, passez à l'étape 5.
4. Si les butées ne tournent pas, vous devrez engager les freins de la remorque et reculer le véhicule tracteur légèrement jusqu'à ce que vous entendiez les butées de pivot s'enclencher. Passez ensuite à l'étape 5.
5. Engagez les freins de la remorque et tirez légèrement le véhicule tracteur vers l'avant jusqu'à ce que le « HUSKY 10-26K » cesse de bouger et que vous entendiez les butées de pivot s'engager.

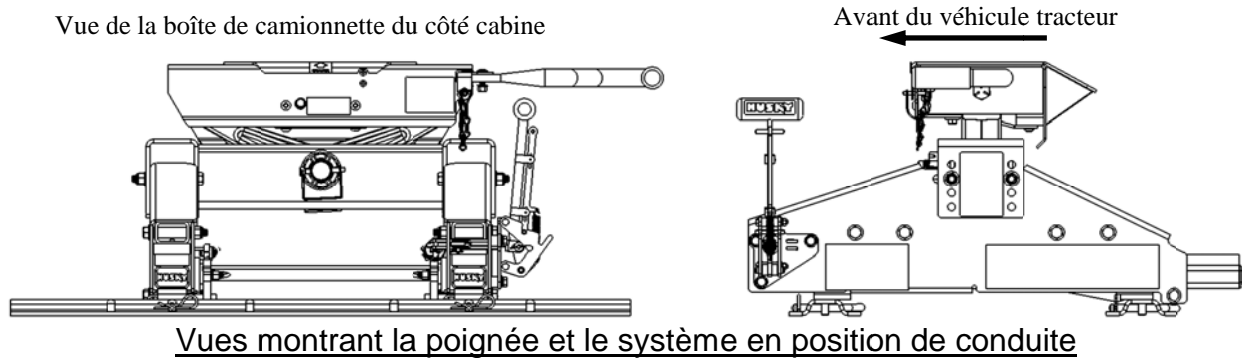


Vue montrant les butées de pivot en position de manœuvre « verrouillée » de l'intérieur de l'assemblage côté conducteur.

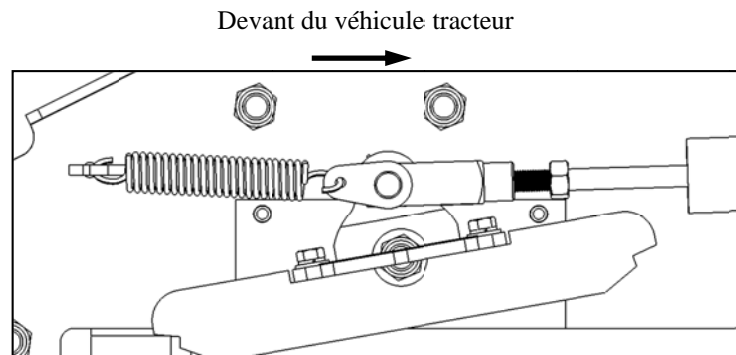


## Pour remorquer :

1. Alignez la remorque et le véhicule tracteur en ligne droite sur une surface à niveau.
2. Soulevez la tige et appuyez sur la poignée puis relâchez la tige.



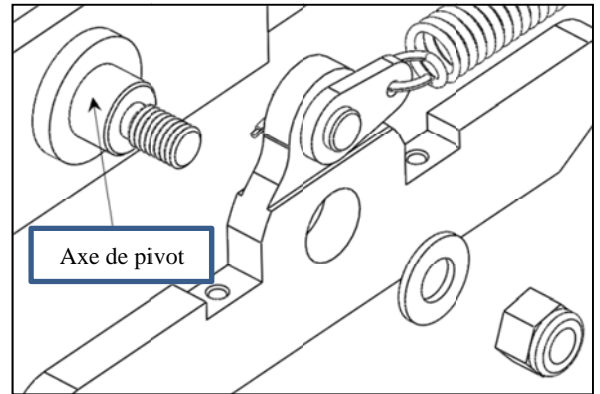
3. Lorsque la poignée est en position de conduite, notez si les butées de pivot tournent ou non. Si oui, passez à l'étape 5.
4. Si les butées ne tournent pas, vous devrez engager les freins de la remorque et reculer le véhicule tracteur légèrement jusqu'à ce que vous entendiez les butées de pivot s'enclencher. Passez ensuite à l'étape 5.
5. Engagez les freins de la remorque et déplacez légèrement le véhicule tracteur vers l'arrière jusqu'à ce que le « HUSKY 10-26K » cesse de bouger et que vous entendiez les butées de pivot s'enclencher.



Vue montrant les butées de pivot dans la position de conduite « verrouillée » de l'intérieur de l'assemblage côté conducteur.

## Maintenance et entretien

1. Chaque 8050 kilomètres (5000 milles), vérifiez tous les assemblages boulonnés pour vous assurer que la couple appropriée est appliquée. (Consultez la page 1 pour connaître les valeurs de couple appropriées en fonction de la taille et de la catégorie d'attache.) De plus, appliquez de la graisse fraîche sur les axes de pivot pour assurer le libre mouvement des butées de pivot.
2. En utilisant de l'air comprimé, un linge propre ou une brosse à main, essuyez périodiquement la surface de glissement du « HUSKY 10-26K » et assurez-vous également qu'aucun objet indésirable ne se trouve dans les renforcements des trous du tampon-guide inférieur.
3. **N'utilisez pas** de graisse d'aucune sorte sur le tampon-guide inférieur, car cela pourrait nuire à la performance de glissement et mener à une usure prématurée.
4. Avant chaque voyage, vous devriez vérifier les mécanismes d'actionnement du « 26K Husky 10 » pour vérifier le mouvement approprié et apporter des correctifs ou des ajustements au besoin.



# Modalités de la garantie

## Garantie limitée de 10 ans

La présente garantie s'applique uniquement aux attelages de caravanes à sellette fabriqués par DTS Manufacturing pour Husky Towing Products.

DTS Manufacturing, Husky Towing Products et Coast Distribution n'offrent aucune garantie pour les produits non fabriqués par DTS Manufacturing. De tels produits sont uniquement couverts en vertu de toute garantie applicable du fabricant. Il est toujours recommandé de respecter les instructions d'utilisation et les instructions de la garantie fournies par le fabricant.

DTS Manufacturing garantit à l'acheteur original que ses produits sont exempts de défauts de fabrication et de matériaux pendant la durée de la garantie indiquée ci-dessus à partir de la date d'achat au détail. Tout produit qui fait l'objet d'un défaut de fabrication ou de matériau sera remplacé ou réparé au choix de DTS Manufacturing, Husky Towing Products et Coast Distribution avec une preuve d'achat présentée par l'acheteur original. L'acheteur original paiera tous les coûts de transport et d'expédition liés au retour du produit défectueux et le produit défectueux deviendra la propriété de DTS Manufacturing.

La garantie s'applique aux produits fabriqués par DTS utilisés à des fins personnelles et de loisir. L'utilisation commerciale des produits fabriqués par DTS limite la garantie à 90 jours à partir de la date d'achat.

La garantie s'applique uniquement aux produits fabriqués par DTS qui comportent des défauts de fabrication ou de matériau. La présente garantie ne s'applique pas à l'usure normale du fini et du revêtement des produits fabriqués par DTS.

DTS Manufacturing, Husky Towing Products et Coast Distribution ne sont pas responsables des coûts de main-d'œuvre encourus pour le retrait ou le remplacement du produit défectueux.

DTS Manufacturing, Husky Towing Products et Coast Distribution ne sont pas responsables de la réparation ou du remplacement d'un produit en vertu de la garantie limitée si le produit est installé de manière inappropriée, mal appliqué, modifié, abusé, négligé, surchargé, mal utilisé ou endommagé en raison d'un accident, y compris toute utilisation du produit qui n'est pas conforme aux instructions d'utilisation et de sécurité du produit.

Sans limiter la portée générale des dispositions précédentes, DTS Manufacturing, Husky Towing Products et Coast Distribution ne seront en aucune circonstance tenus responsables de toute perte ou tout dommage imprévu ou indirect d'une quelconque nature découlant d'une violation de la garantie, ou lié à une telle violation, ou à un défaut signalé ou à l'absence de performance des produits. Certains états ne permettent pas d'exclusion ou de limitation de dommages imprévus ou indirects; par conséquent, l'exclusion ou la limitation susmentionnée pourrait ne pas s'appliquer à vous.

La présente garantie limitée vous confère des droits légaux précis, et vous pourriez également avoir d'autres droits qui varient d'un état à l'autre.